



# Parts Manual

Mfg. No: 2691411-00  
Courier, SZT350, 724cc B&S Rider w/52"



1696673-00 - Twin Grass Catcher & Front Weight. ....

1696384YP - Grass Mulcher Kit, 52" Fabricated Mower Deck. ....

1696768-00 - Turbo, 52" Fabricated Mower Deck, ZTR. ....

1687855YP - Rhino Grip. ....

1687856YP - Rhino Grip, Ratcheting. ....

1696908 - Grass Mulcher Kit w/Eliminator, 52" Fabricated Mower Deck. ....

Not For  
Reproduction

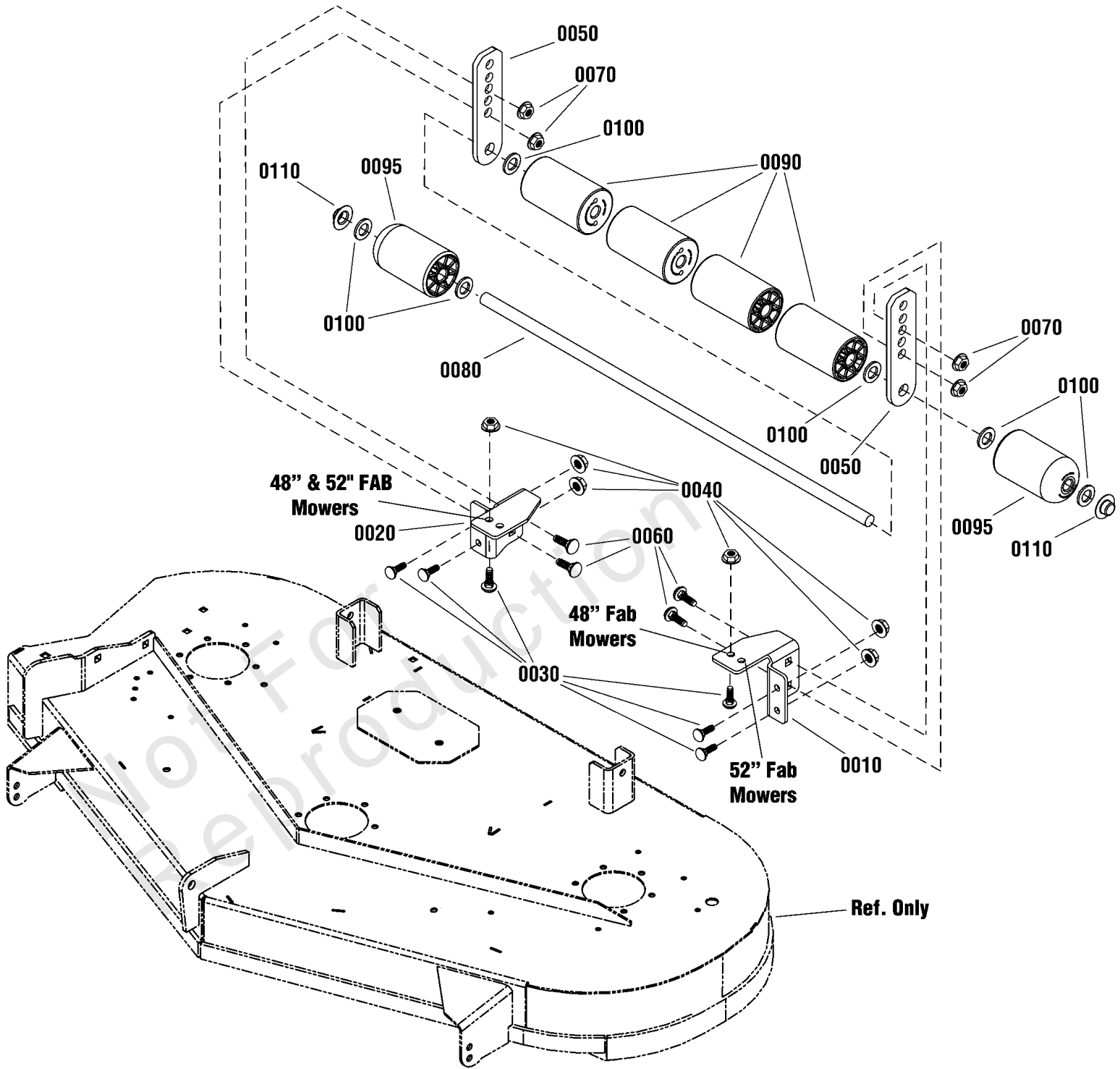
<b>Model Components</b>	<b>Page</b>
48" & 52" Mower Deck - Roller Group.....	4
52" HOZ Guarding Group.....	6
52" Mower Deck - Clutch & Support Group.....	8
52" Mower Deck - Housing, Arbors & Blade Group.....	10
Body, Fuel Tank & EVAP Group.....	12
Cargo Bed Group - ZT - No Cargo Bed.....	16
Controls Group.....	18
Decals Group.....	20
Electrical Group.....	22
Engine Group.....	24
Evap Group.....	26
Frame Suspension, EU.....	28
Lift Group.....	30
Parking Brake Group.....	32
Rear Suspension Group.....	34
Seat Group W/Armrests.....	36
Transaxle SERVICE Parts - Hydro-Gear ZT2800.....	38
Transmission Group.....	40
Wheel & Tire Group.....	42
Torque Specification Chart.....	44

Not For  
Reproduction

# 48" & 52" Mower Deck - Roller Group

Note: Unless noted otherwise, use the standard torque specifications

Mfg. No: 2691411-00



## 48" & 52" Mower Deck - Roller Group

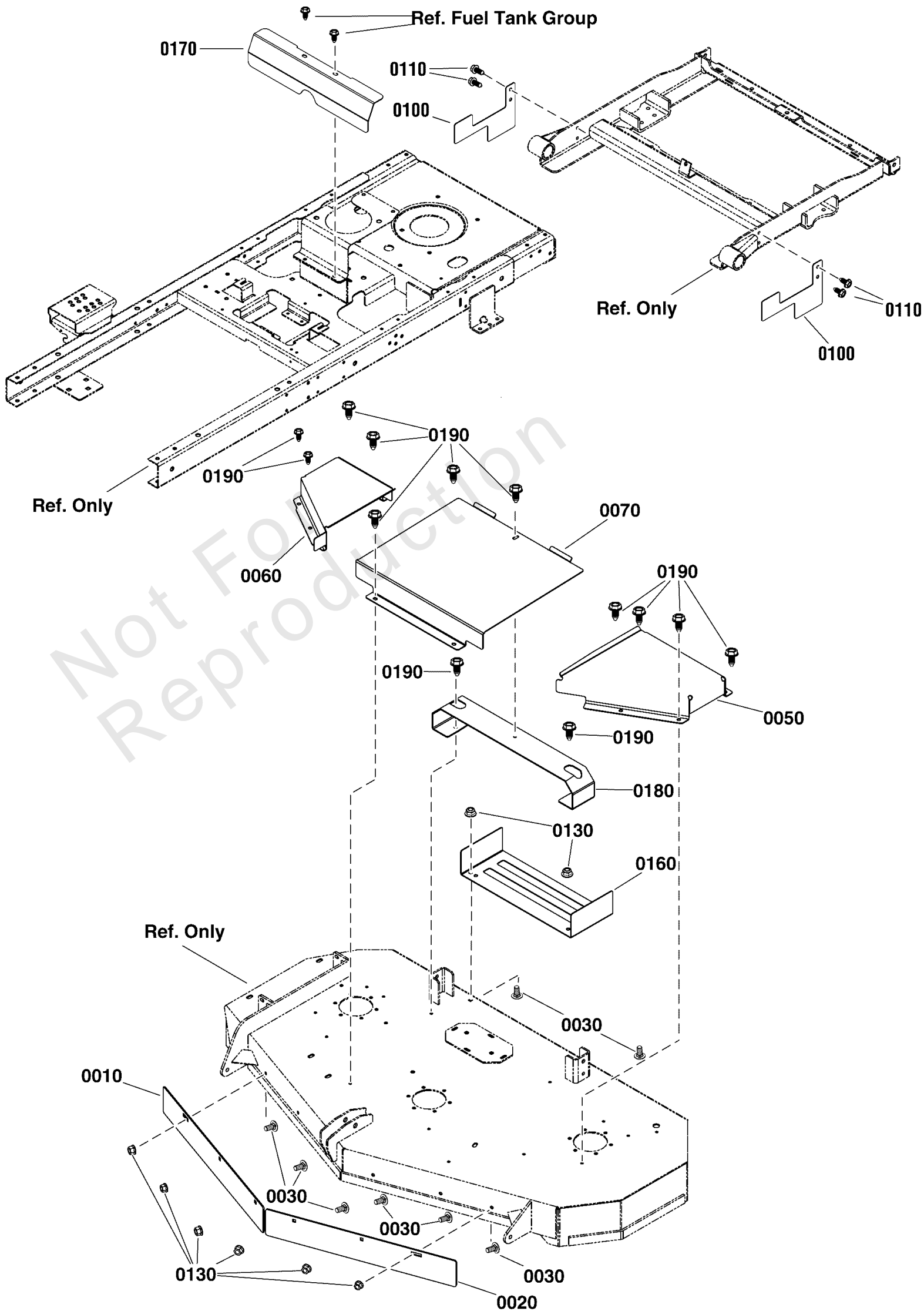
REF NO	PART NO	QTY	DESCRIPTION
0010	1758457AYP	1	MOUNT, Roller Bar, LH
0020	1758458AYP	1	MOUNT, Roller Bar, RH
0030	703185	6	BOLT, Carriage, 5/16-18 X 3/4
0040	703115	6	NUT, Flange Nylock, 5/16-18
0050	1758461AYP	2	BAR, Roller
0060	703815	4	BOLT, Carriage, 3/8-16 X 1, GR5
0070	703158	4	NUT, Hex Flange, 3/8-16
0080	1758473YP	1	SHAFT, Roller
0090	1668513SM	4	ROLLER, .652 ID, 2.50 OD, 4.10 LG
0095	1722036SM	2	ROLLER, Rounded, 4.1 LG, 650 ID, 2.50 OD Rounded End
0100	703580	6	WASHER, 5/8
0110	1960520SM	2	NUT, Push, 5/8

Not For  
Reproduction

# 52" HOZ Guarding Group

Note: Unless noted otherwise, use the standard torque specifications

Mfg. No: 2691411-00



## 52" HOZ Guarding Group

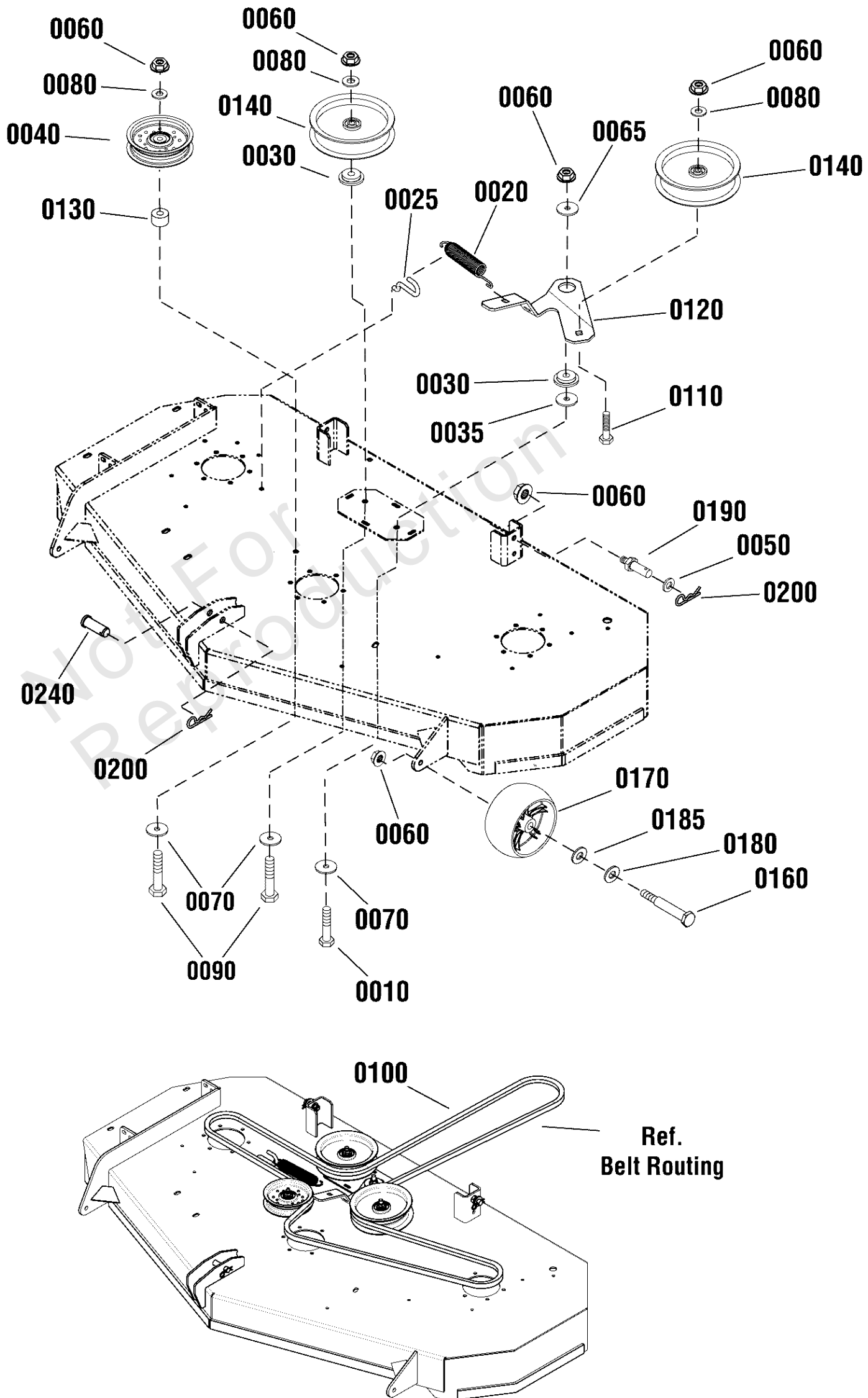
REF NO	PART NO	QTY	DESCRIPTION
0010	705981	1	BAFFLE, Blowout, RH
0020	705980	1	BAFFLE, Blowout, LH
0030	703185	8	BOLT, Carriage, 5/16-18 X 3/4
0050	1760708AYP	1	COVER, Arbor, LH
0060	1760709AYP	1	COVER, Arbor, RH
0070	1760710AYP	1	COVER, Top Arbor
0100	1760087AYP	2	COVER, Side Suspension, 48"
0110	703949	4	SCREW, 5/16-18 X .625, Hex Washer Head, Thread Roll, Zinc/Clear
0130	703115	8	NUT, Flange Nylock, 5/16-18
0160	1760915AYP	1	COVER, Belt, Rear
0170	1760154AYP	1	COVER, Bystander Pulley
0180	1760798AYP	1	SUPPORT, Cover
0190	703228	13	SCREW, Washer Head Taptite, 5/16-18 X 3/4

Not For  
Reproduction

# 52" Mower Deck - Clutch & Support Group

Note: Unless noted otherwise, use the standard torque specifications

Mfg. No: 2691411-00





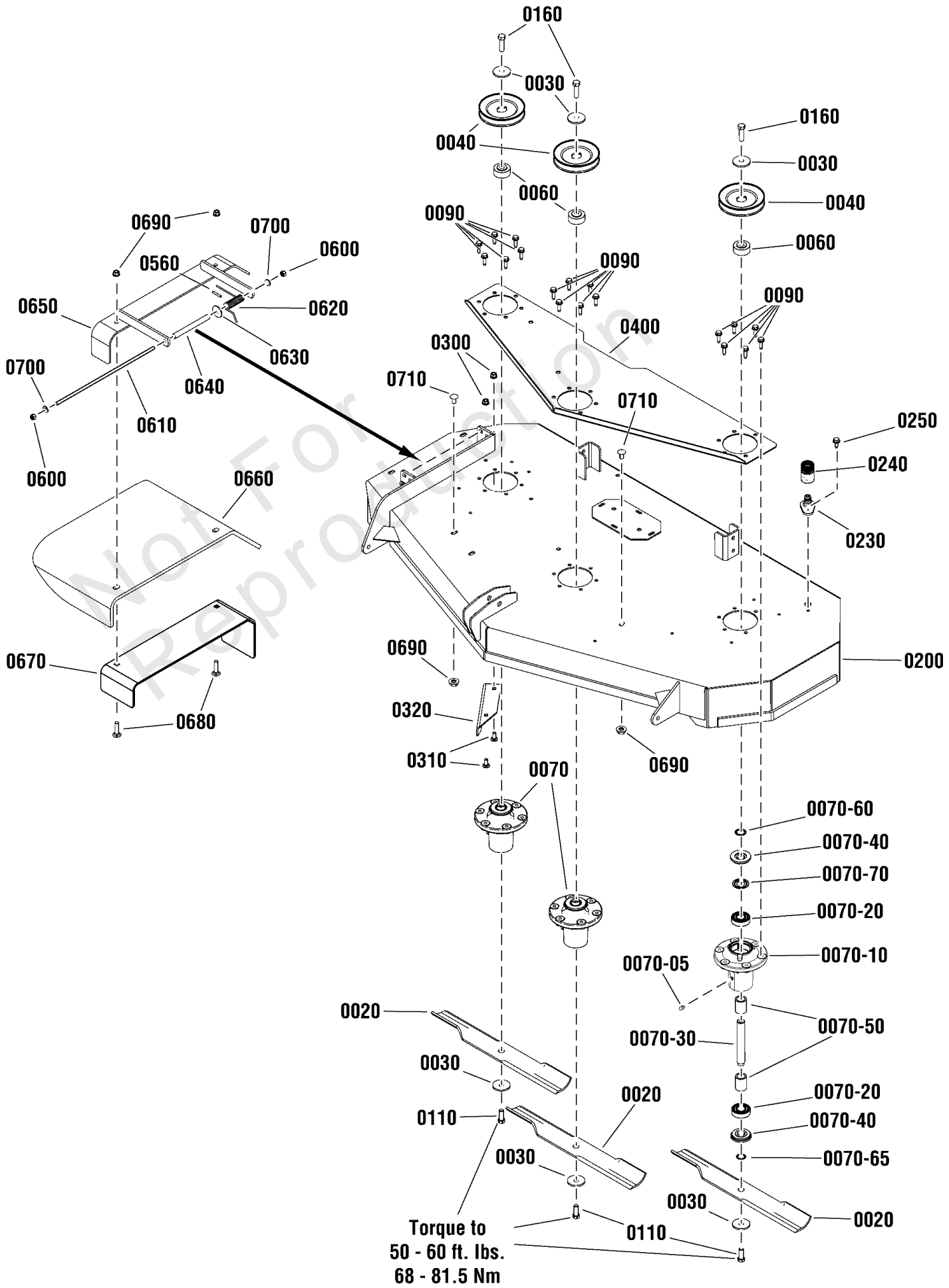
## 52" Mower Deck - Clutch & Support Group

REF NO	PART NO	QTY	DESCRIPTION
0010	703589	1	CAPSCREW, Hex Head, 3/8-16 X 2, GR5
0020	1715435SM	1	SPRING, Extension
0025	1758170YP	1	ANCHOR, Spring
0030	706128	2	SPACER, Idler
0035	1960071SM	1	WASHER, 3/8
0040	1757823YP	1	PULLEY, Idler, Backside
0050	703853	2	WASHER, 1/2
0060	5025394SM	8	NUT, Hex Flange, Nylock, 3/8-16
0065	5025305SM	1	WASHER, .41 X 1.75 X .14
0070	703591	3	WASHER, Flat, 13/32 x 1 1/2 x 1/8
0080	703878	3	WASHER, Flat, 13/32 x 7/8 x .083
0090	5025013X22SM	2	CAPSCREW, Hex Head, 3/8-16 X 2-3/4
0100	1757901YP	1	V-BELT, HA
0110	7900009SM	1	BOLT, Carriage, 3/8-16 X 2 1/4
0120	1760882AYP	1	ARM, Idler
0130	5046860SM	1	SPACER, .39 X 1.00 X .50, PM, CZ
0140	7034422SM	2	PULLEY, Flat Idler
0160	1736539YP	2	BOLT, Shoulder, 3/8-16 X 3.41
0170	1736896YP	2	WHEEL, Gauge
0180	5025158SM	2	WASHER, 1/2
0185	0020X3MA	2	WASHER, Spring
0190	704054	2	PIN, Threaded Shoulder, 3/8-16 X 11/16
0200	703300	3	PIN, Hair, 3/32 x 1 5/8
0240	1722819SM	1	PIN, Flat Head, .496 x 2.12

# 52" Mower Deck - Housing, Arbors & Blade Group

Note: Unless noted otherwise, use the standard torque specifications

Mfg. No: 2691411-00



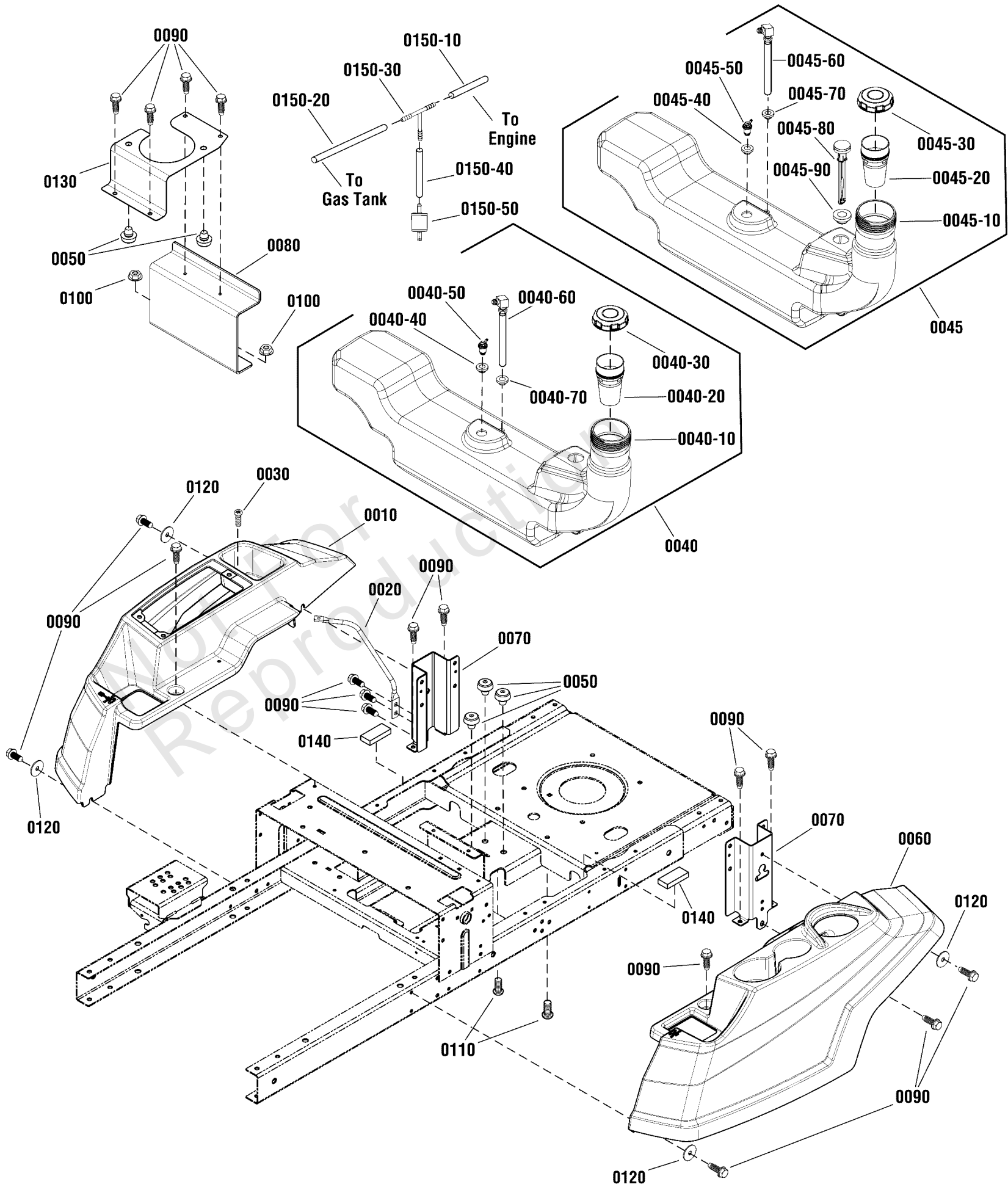
## 52" Mower Deck - Housing, Arbors & Blade Group

REF NO	PART NO	QTY	DESCRIPTION
0020	1756152AYP	3	BLADE, 18", .63 Hole, .98 Lift
0030	1656916SM	6	WASHER, Spring, .475 ID x 1.75 OD x .156 Thick, Black
0040	1732951SM	3	PULLEY, 4.60" OD, 1.0" ID, .87" WD, BLK
0060	706362	3	SPACER, HUB, .75 HI, .457 ID
0070	-----	3	SPINDLE ASSY - 52" FAB (ALUM.)
0070-05	1704314SM	3	LUBE, Fitting, .250 Drive, .25 SH, Check Ball, Yel
0070-10	1760371	3	HOUSING, SPINDLE - CAST ALUM W/ ZERK
0070-20	1735399YP	6	BEARING, Ball, 20mm
0070-30	1759497YP	3	SHAFT, Spindle (134.6mm / 5.299" LG)
0070-40	1735323YP	6	SHIELD, Arbor, 2-1/16 OD
0070-50	1735328YP	6	SPACER, Bearing, .812 ID, 1.25 OD, .442 Tall, PM
0070-60	1960766YP	3	RING, Self Locking (For 20MM Shaft)
0070-65	708167	3	RING, Self-Locking, 15MM Shaft
0070-70	7106224YP	3	BEARING, Seal
0090	704146	18	SCREW, 5/16-18 X 1.0, Hex Washer Head Self-Tap, ZC/CL
0110	1920676SM	3	CAPSCREW, Hex Head, 7/16-14 X 1
0160	1921212SM	3	CAPSCREW, Hex Head, 7/16-14 X 1 1/2
0200	1687924YP	1	HOUSING, Mower Deck w/Decals, 52" Fab
0230	1756247YP	1	ADAPTOR, Washout Port
0240	1756246YP	1	CONNECTOR, Washout Port 46/52" Black Poly
0250	703228	1	SCREW, Washer Head Taptite, 5/16-18 X 3/4
0300	703115	2	NUT, Flange Nylock, 5/16-18
0310	703185	2	BOLT, Carriage, 5/16-18 X 3/4
0320	5405557AYP	1	PLATE, Deflector, 52" Deck - Blk
0400	1760973AYP	1	PLATE, Deck Top, 52" ZT - Black
0560	5023489SM	1	CAP, Protector, .120 ID
0600	5025045SM	2	NUT, 5/16-24 Hex Nylon Lock
0610	5042555SM	1	ROD, 5/16 X 13.75, TBE, CZ
0620	5023385SM	1	SPRING, Torsion
0630	5025164SM	1	WASHER, 5/16" Fender
0640	5050086X8SM	1	TUBE, 1/2 X 3/8 - 8.0" LG, Black Plastic
0650	1760936AYP	1	BRACE, Discharge Chute
0660	5413498YP	1	CHUTE-DISCHARGE, Rubber, 25.00"
0670	1760930AYP	1	SUPPORT, Discharge Chute
0680	703406	2	BOLT, 3/8-16 X 1-1/2, Carriage, GD5, CZ
0690	5025394SM	4	NUT, Hex Flange, Nylock, 3/8-16
0700	703302	2	WASHER, 5/16 SAE
0710	703448	2	BOLT, 3/8-16 X .750, Short Neck Carriage, Zinc/Clear

# Body, Fuel Tank & EVAP Group

Note: Unless noted otherwise, use the standard torque specifications

Mfg. No: 2691411-00



## Body, Fuel Tank & EVAP Group

REF NO	PART NO	QTY	DESCRIPTION
0010	1758077YP	1	FENDER, RH
0020	1759369YP	1	ROD, Support
0030	7090999SM	1	SCREW, Phillips Head, 1/4-20 X 5/8
0040	1758202YP	1	FUEL TANK ASSEMBLY, No Fuel Gauge -(Incl. Ref. Nos. 0040-10 0040-20, 0040-30, 0040-40, 0040-50, 0040-60 & 0040-70)
0040-10	-----	1	* TANK, Fuel -(Included in Ref. No. 0040)
0040-20	1758282YP	1	NECK, Fuel Filter -(Included in Ref. No. 0040)
0040-30	1758314YP	1	CAP, Fuel (Non Vented) -(Included in Ref. No. 0040)
0040-40	799624	1	GROMMET -(Included in Ref. No. 0040)
0040-50	7104638YP	1	VENT, Remote -(Included in Ref. No. 0040)
0040-60	1758927YP	1	TUBE, Fuel Pickup -(Included in Ref. No. 0040)
0040-70	1726400SM	1	BUSHING -(Included in Ref. No. 0040)
0045	1758919YP	1	FUEL TANK ASSEMBLY. W / Fuel Gauge -(Incl. Ref. Nos. 0045-10, 0045-20, 0045-30, 0045-40, 0045-50, 0045-60, 0045-70, 0045-80 & 0045-90)
0045-10	-----	1	* TANK, Fuel -(Included in Ref. No. 0045)
0045-20	1758282YP	1	NECK, Fuel Filter -(Included in Ref. No. 0045)
0045-30	1758314YP	1	CAP, Fuel (Non Vented) -(Included in Ref. No. 0045)
0045-40	799624	1	GROMMET -(Included in Ref. No. 0045)
0045-50	7104638YP	1	VENT, Remote -(Included in Ref. No. 0045)
0045-60	1758927YP	1	TUBE, Fuel Pickup -(Included in Ref. No. 0045)
0045-70	1726400SM	1	BUSHING -(Included in Ref. No. 0045)
0045-80	1758928YP	1	GAUGE, Fuel -(Included in Ref. No. 0045)
0045-90	1722337SM	1	GROMMET -(Included in Ref. No. 0045)
0050	197546GS	5	MOUNT, Vibration
0060	1758076YP	1	FENDER, LH
0070	1758239AYP	2	SUPPORT, Rear Fender
0080	1758889AYP	1	SUPPORT, Seat Spring
0090	1664847SM	18	SCREW, Taptite, 5/16-18 x 3/4
0100	703158	2	NUT, Flange, 3/8-16
0110	707790	2	SCREW, Button Head, 3/8-16 X .88
0120	1960044SM	4	WASHER, Flat, 5/16
0130	1759140AYP	1	STRAP, Fuel Tank
0140	1759405YP	2	BUMPER
0150-10	7700552X7YP	1	HOSE, Vapor
0150-20	7700552X22YP	1	HOSE, Vapor
0150-30	5103062YP	1	FITTING, Tee

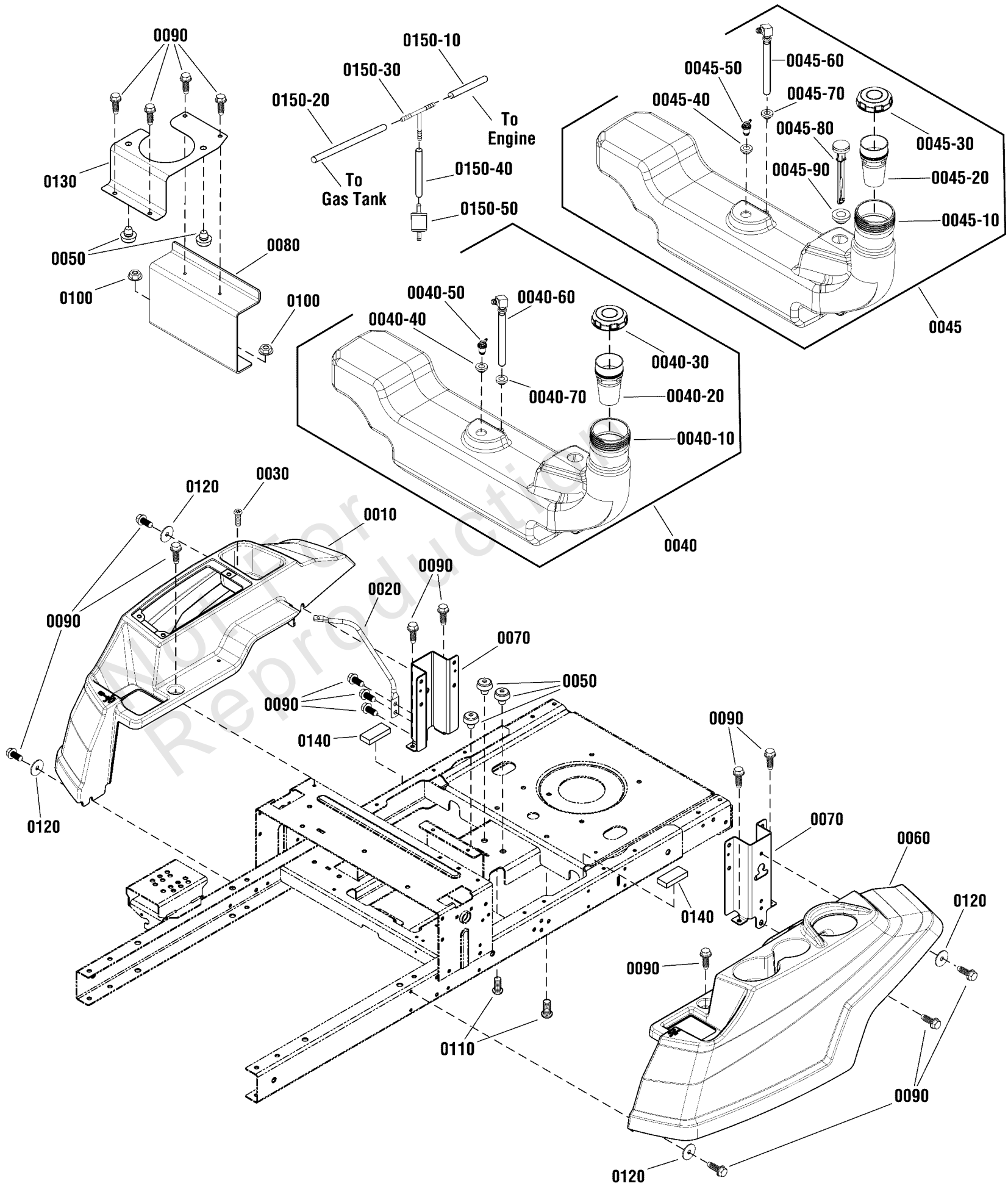
### Footnotes:

\* Not a serviceable part.

# Body, Fuel Tank & EVAP Group

Note: Unless noted otherwise, use the standard torque specifications

Mfg. No: 2691411-00



## ***Body, Fuel Tank & EVAP Group***

---

REF NO	PART NO	QTY	DESCRIPTION
0150-40	7700552X7YP	1	HOSE, Vapor
0150-50	691035	1	FILTER, Fuel

---

Not For  
Reproduction

---

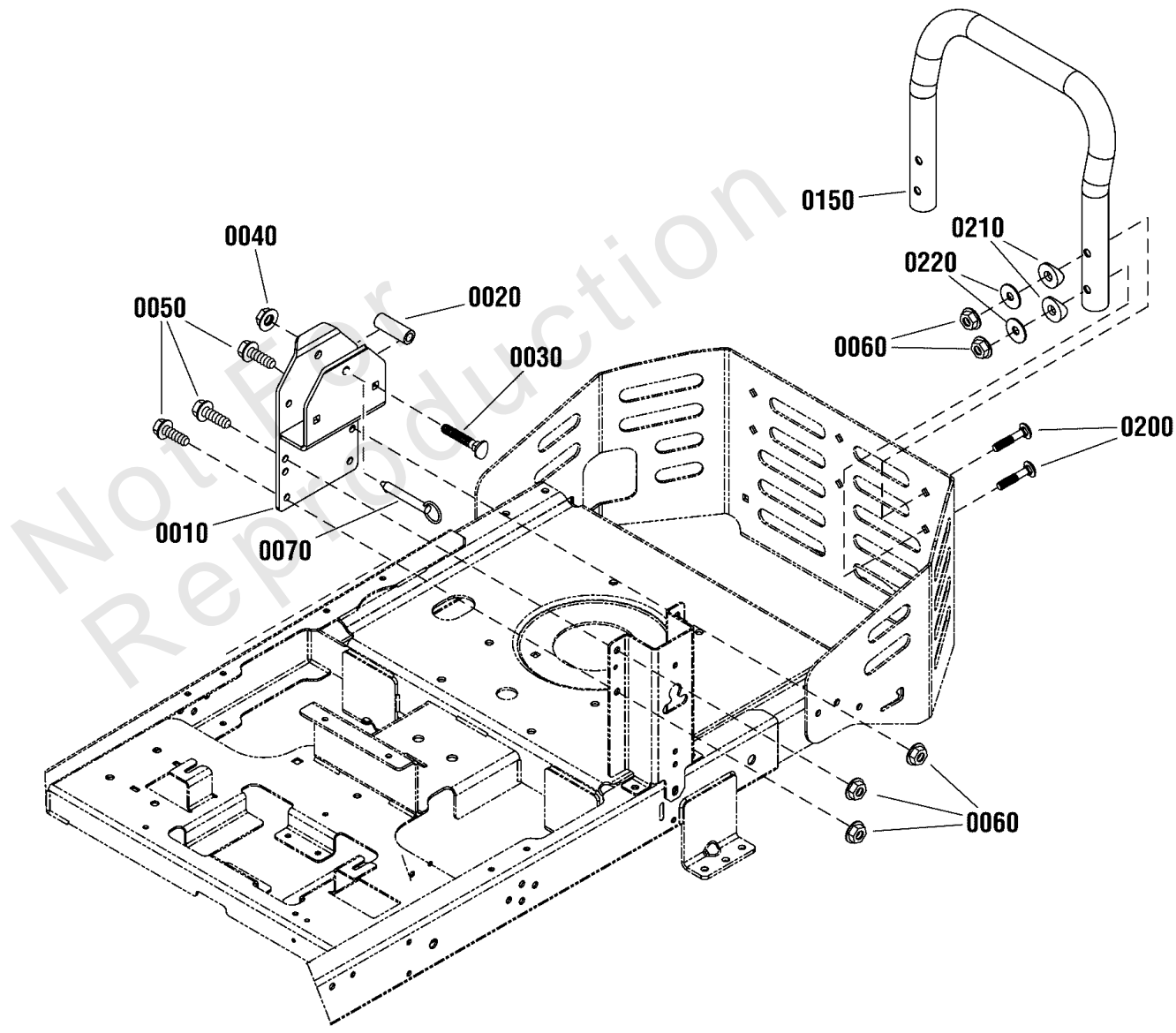
**Footnotes:**

\* Not a serviceable part.

# Cargo Bed Group - ZT - No Cargo Bed

Note: Unless noted otherwise, use the standard torque specifications

Mfg. No: 2691411-00

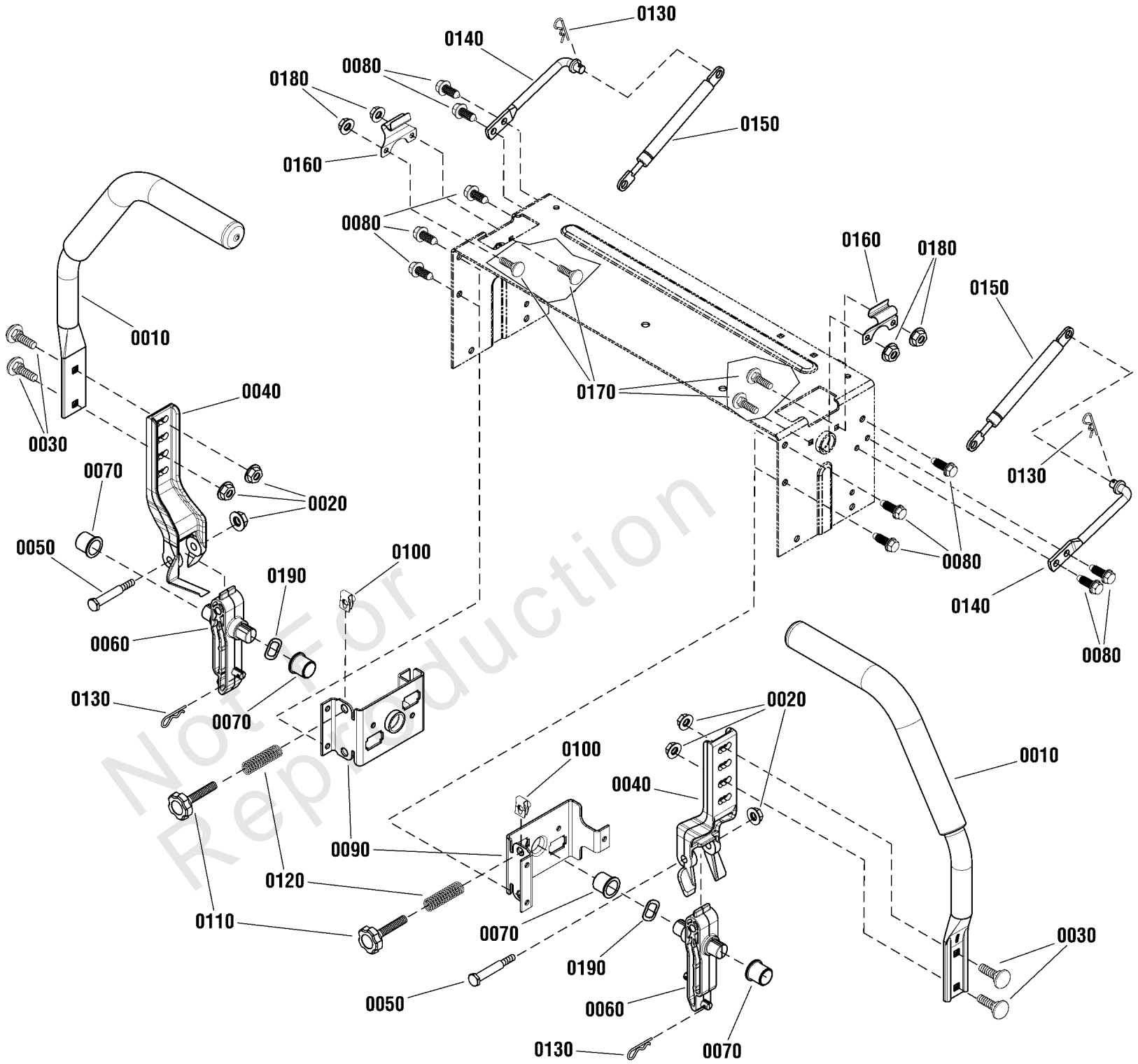




## ***Cargo Bed Group - ZT - No Cargo Bed***

<b>REF NO</b>	<b>PART NO</b>	<b>QTY</b>	<b>DESCRIPTION</b>
0010	1759433AYP	2	SUPPORT, Cargo Box
0020	1713588SM	2	SPACER, .323 ID X .555 OD X 1.55 LG, CZ
0030	704421	2	SCREW, 5/16 X 2 1/4, Carriage SH NK ZC/CL
0040	704067	2	NUT, 5/16-18, Hex Flange, Center Lock
0050	703354	4	SCREW, Flange, Whiz-Lock, 5/16-18 X 3/4
0060	703115	8	NUT, Flange Nylock, 5/16-18
0070	5103021YP	2	PIN, Hitch, 3/8 X 2 1/2
0150	1759315AYP	1	TUBE, Support
0200	704035	4	BOLT, Carriage, 5/16-18 X 2
0210	1759361YP	4	SADDLE, Tube, 1.25 O.D.
0220	1960044SM	4	WASHER, Flat, 5/16

Not For  
Reproduction



## Controls Group

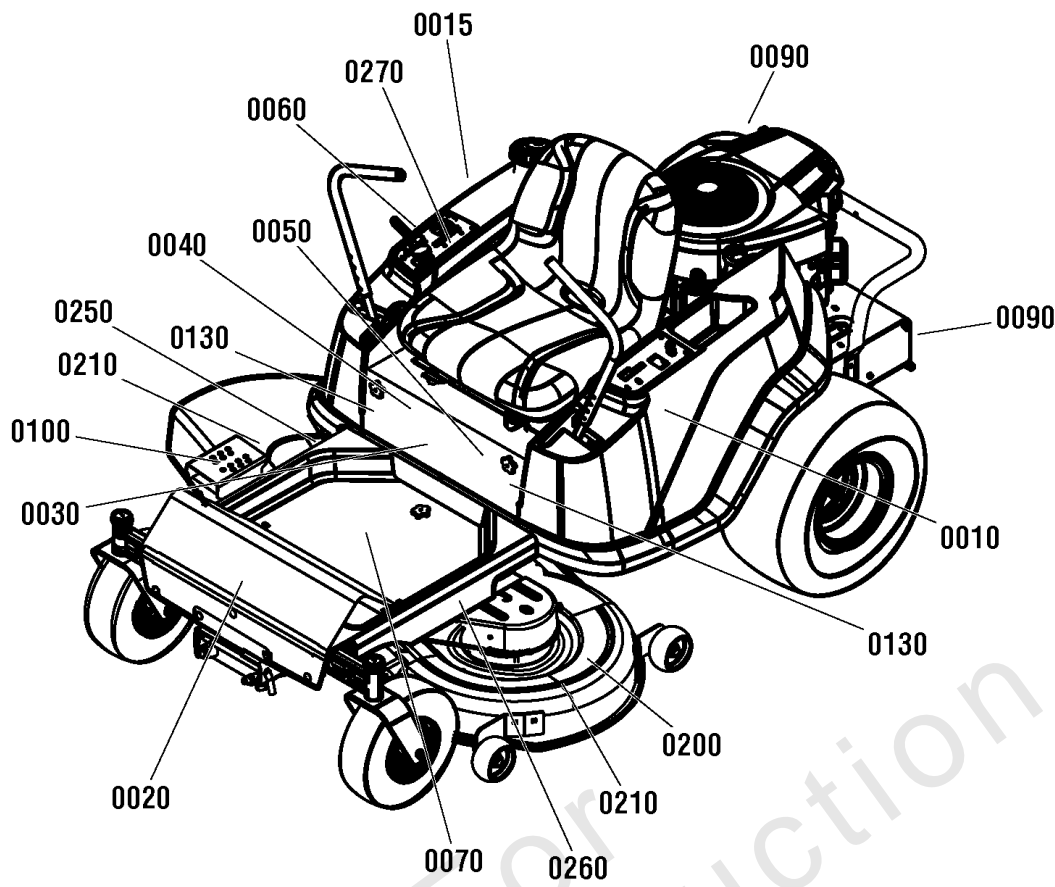
REF NO	PART NO	QTY	DESCRIPTION
0010	1758372YP	2	HANDLE, Control w/Grip
0020	703115	4	NUT, Flange Nylock, 5/16-18
0030	703483	4	BOLT, Carriage, 5/16-18 X 1
0040	1757965YP	2	ARM, Upper Control
0050	707624	2	BOLT, Shoulder, 5/16-18 X 3/8
0060	1757964YP	2	ARM, Lower Control
0070	2176440SM	4	BUSHING
0080	703949	10	SCREW, Washer Head, 5/16-18 X 5/8
0090	1758087AYP	2	PIVOT, Inner Control
0100	1960717SM	2	NUT, Speed, 5/16-1*
0110	1758373YP	2	KNOB, Stud, 5/16-18 X 2 1/2
0120	1650347SM	2	SPRING, Compression
0130	1722460SM	4	PIN, Hair
0140	1758463YP	2	ROD, Dampner Mount
0150	1758152YP	2	CONTROL, Dampner
0160	1759182YP	2	LATCH, Control Arm
0170	1960252SM	4	BOLT, Carriage, 1/4-20 x 5/8
0180	703463	4	NUT, Nylock Flanged, 1/4-20
0190	707625	2	WASHER, Wave, 3/4

Not For  
Reproduction

# Decals Group

Note: Unless noted otherwise, use the standard torque specifications

Mfg. No: 2691411-00



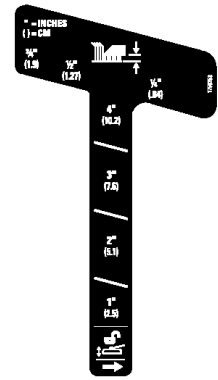
0050



0060



0270



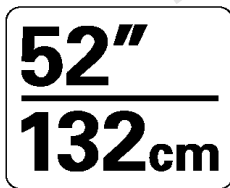
0100



0040



0210



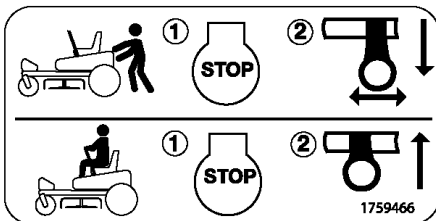
0200



0250



0260



0090



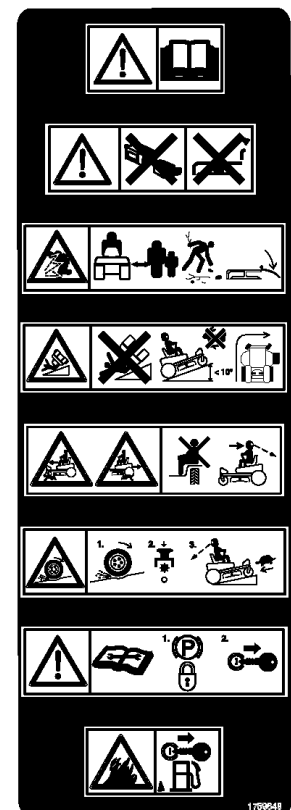
0130



0030



0015



0070



0020



0010

## Decals Group

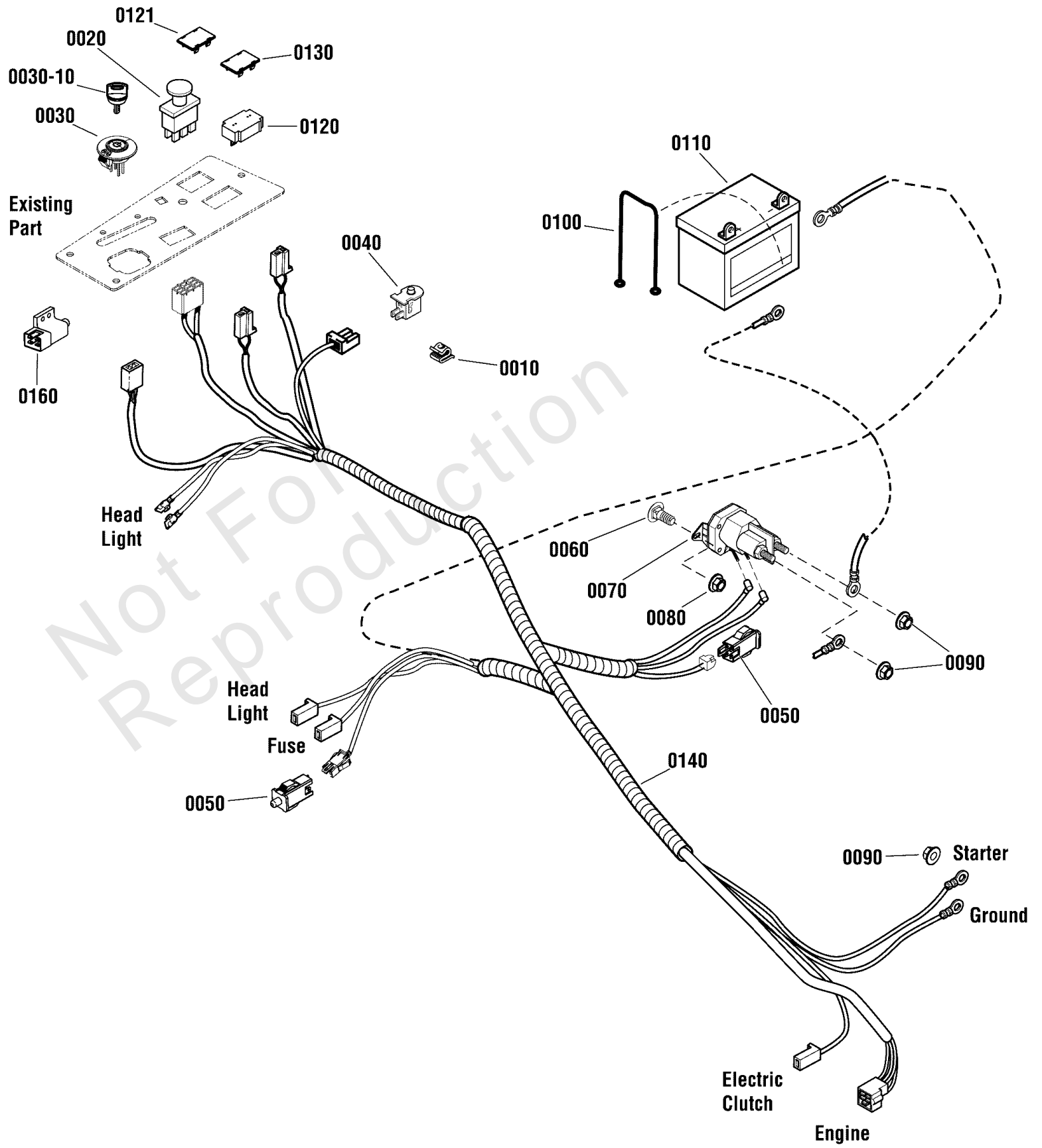
REF NO	PART NO	QTY	DESCRIPTION
0010	1760168YP	1	DECAL, Simplicity Logo, LH Fender, 15.7" x 3.7"
0015	1760169YP	1	DECAL, Simplicity Logo, RH Fender, 15.7" x 3.7"
0020	1757673YP	1	DECAL, Simplicity Logo, 10.47"
0030	1760679YP	1	DECAL, SMI, SZT350
0040	1759636YP	1	DECAL, Courier Model
0050	1759052YP	1	DECAL, Suspension
0060	7105868YP	1	DECAL, Engine Speed - No Choke
0070	1759648YP	1	DECAL, Main Safety - ZT (CE)
0090	1759466YP	2	DECAL, Tow Valve Release (Susp)
0100	1759253YP	1	DECAL, Height of Cut
0130	1759724YP	2	DECAL, Tracking Adjustment - ZT
0200	1755721YP	1	DECAL, Mower Width 52IN/132CM
0210	706111	2	DECAL, Discharge Safety
0250	709953	2	DECAL, EAC Compliance
0260	706112	2	LABEL, Solely For Export - Exempt US Emissions
0270	1760177YP	1	DECAL, Park Brake

Not For  
Reproduction

# Electrical Group

Note: Unless noted otherwise, use the standard torque specifications

Mfg. No: 2691411-00



## Electrical Group

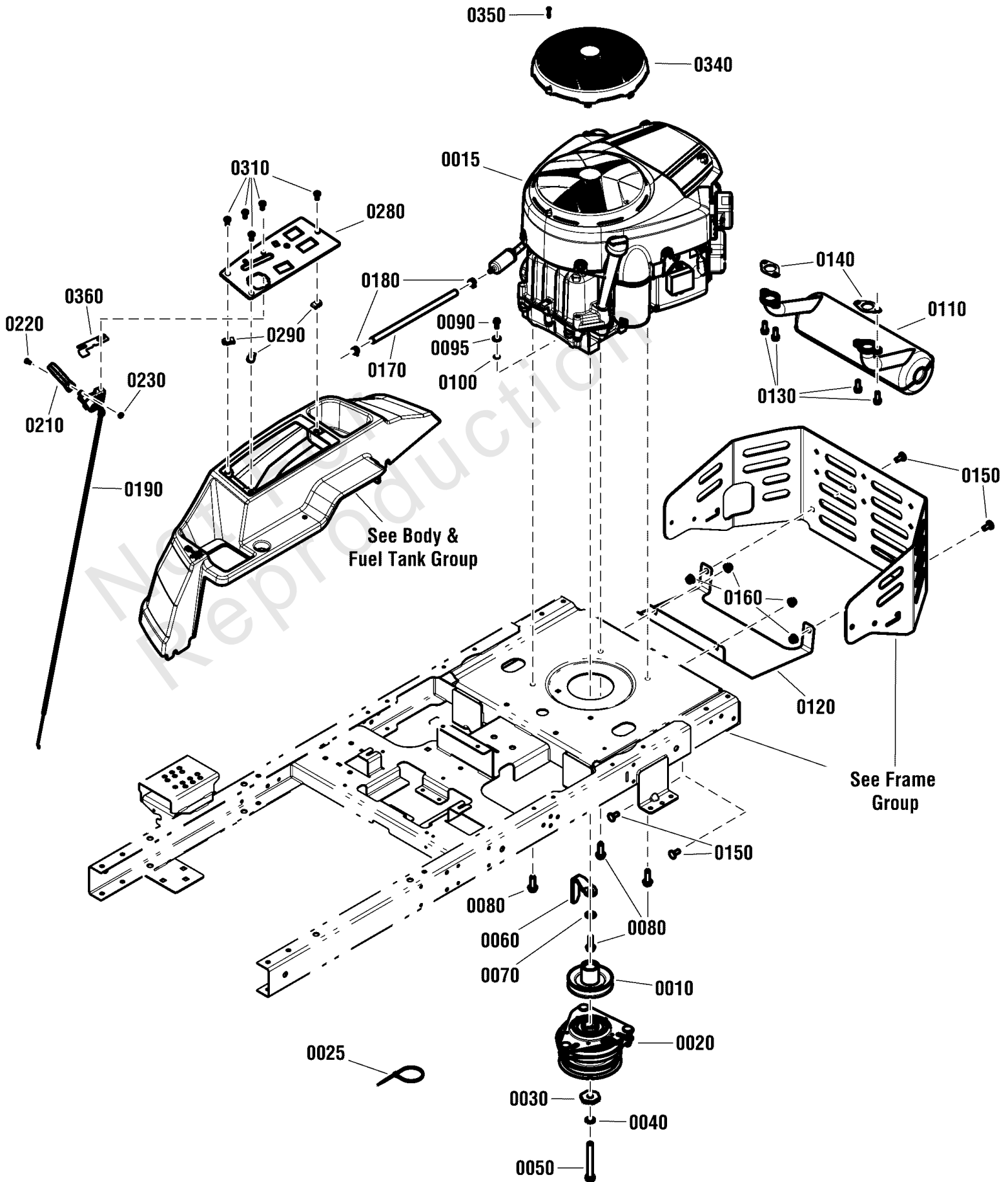
REF NO	PART NO	QTY	DESCRIPTION
0010	2172434SM	2	CLIP, Wire, .390 Dia.
0020	1722887SM	1	SWITCH, PTO, Push/Pull
0030	7106169YP	1	SWITCH, Ignition, Delta (3 Postition)
0030-10	7106172YP	1	KEY, Ignition Switch - Pack of 2, CE/CAN
0040	7023354YP	1	SWITCH, Seat, Push Button (NC)
0050	7022886YP	2	SWITCH, DP, NO/NC, Snap-In
0060	1960252SM	2	BOLT, Carriage, 1/4-20 x 5/8
0070	1755382YP	1	SOLENOID, 1/4-20 STD, 2 Spade
0080	703463	2	NUT, Nylock Flanged, 1/4-20
0090	703061	3	NUT, 1/4-20, Keps, Conical Washer
0100	1722009SM	1	STRAP, Rubber, 13"
0110	-----	1	BATTERY, 230 CCA, 8U1L -(Not a Part Sale Item)
0120	1731185SM	1	HOUR METER, Digital, No Alarms
0121	1729993SM	1	PLUG, Hole, 1.180 X 1.690
0130	1722611SM	1	PLUG, Hole, .85 X 1.73
0140	1758084YP	1	HARNESS, Main, EU, ZTR
0160	1717050SM	1	SWITCH, Push Button, N.O . N.C, Double Pole, Grey

Not For  
Reproduction

# Engine Group

Note: Unless noted otherwise, use the standard torque specifications

Mfg. No: 2691411-00



See Body & Fuel Tank Group

See Frame Group



## Engine Group

REF NO	PART NO	QTY	DESCRIPTION
0010	1757995YP	1	PULLEY ASSEMBLY
0020	1736105SM	1	CLUTCH, Ogura
0015	44U877-0003-B1	1	* ENGINE, 8270 Pro Series Twin
0025	703586	1	TIE, Cable
0030	1708264SM	1	WASHER, Hex
0040	704007	1	WASHER, Lock, 7/16
0050	1960649SM	1	CAPSCREW, Hex Head, 7/16-20 X 3 1/2, G5
0060	1737421AYP	1	GUIDE, Belt
0070	703878	1	WASHER, Flat, 13/32 x 7/8 x .083
0080	2828635SM	4	SCREW, Taptite, 3/8-16 X 1 1/4
0090	703054	4	SCREW, Hex Washer Head, 1/4-20 x 5/8
0095	703332	1	WASHER, Flat, 1/4
0100	1921880SM	1	WASHER, Lock, 1/4
0110	1758350YP	1	MUFFLER
0120	1759502AYP	1	SHIELD, Heat
0130	690341	4	SCREW
0140	690970	2	GASKET, Exhaust
0150	703185	4	BOLT, Carriage, 5/16-18 X 3/4
0160	703115	4	NUT, Flange Nylock, 5/16-18
0170	791766	1	LINE, Fuel -(Low Perm, Cut to 11.25")
0180	691038	2	CLAMP, Hose
0190	1759205YP	1	CONTROL, Throttle
0210	1739312YP	1	KNOB, Throttle
0220	797483	1	Screw
0230	703460	1	Nut
0280	1760041AYP	1	PANEL, Control
0290	705876	3	NUT, Speed, 1/4-20
0310	703953	5	SCREW, Torx Pan Head Self-Tapping, 1/4-20 X 5/8,
0340	797420YP	1	Cover, Static
0350	799359	1	Screw
0360	1760887YP	1	THROTTLE STOP

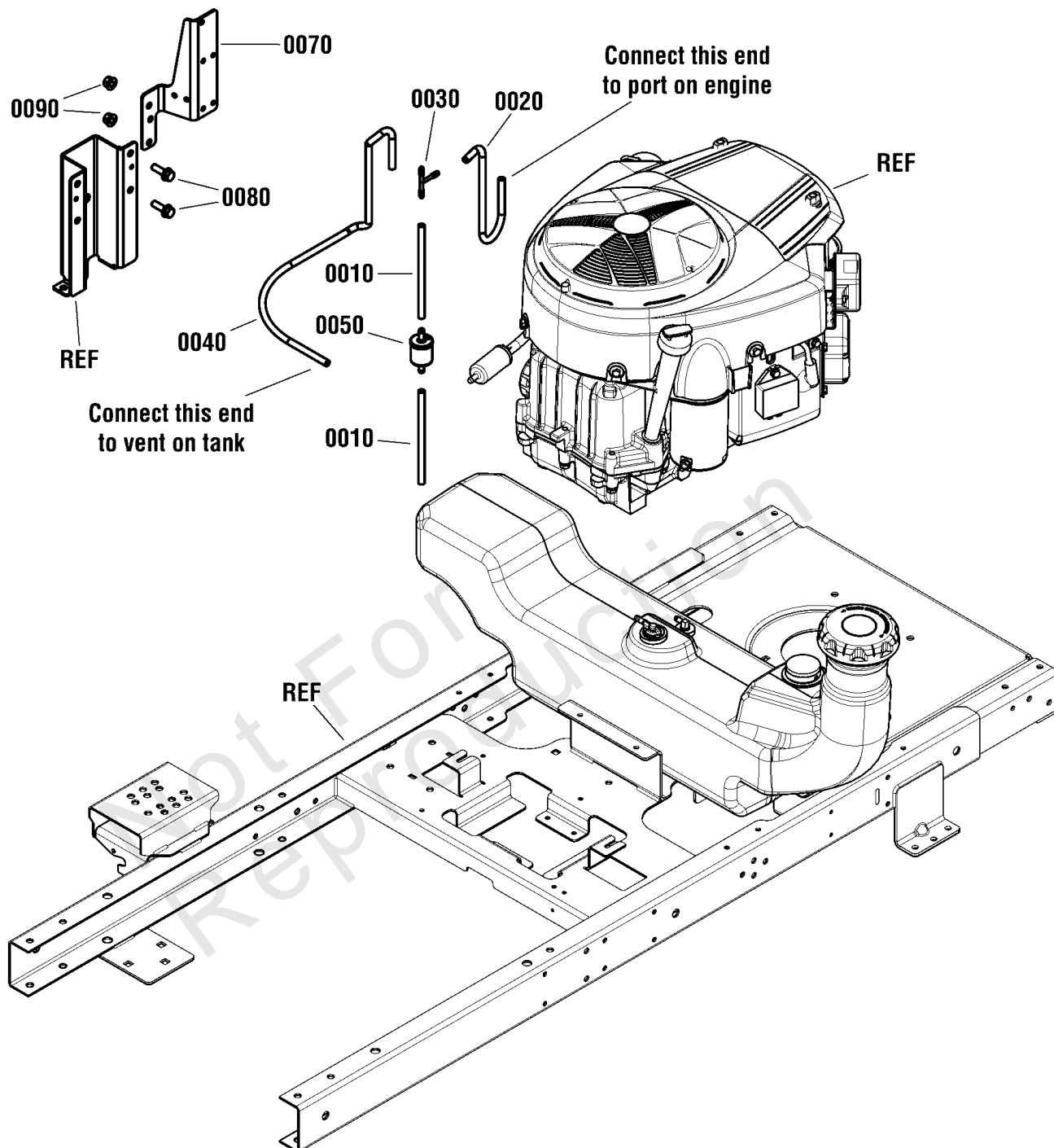
### Footnotes:

NOTE: \* Purchase engine parts from engine manufacturer dealer.

# Evap Group

Note: Unless noted otherwise, use the standard torque specifications

Mfg. No: 2691411-00



## Evap Group

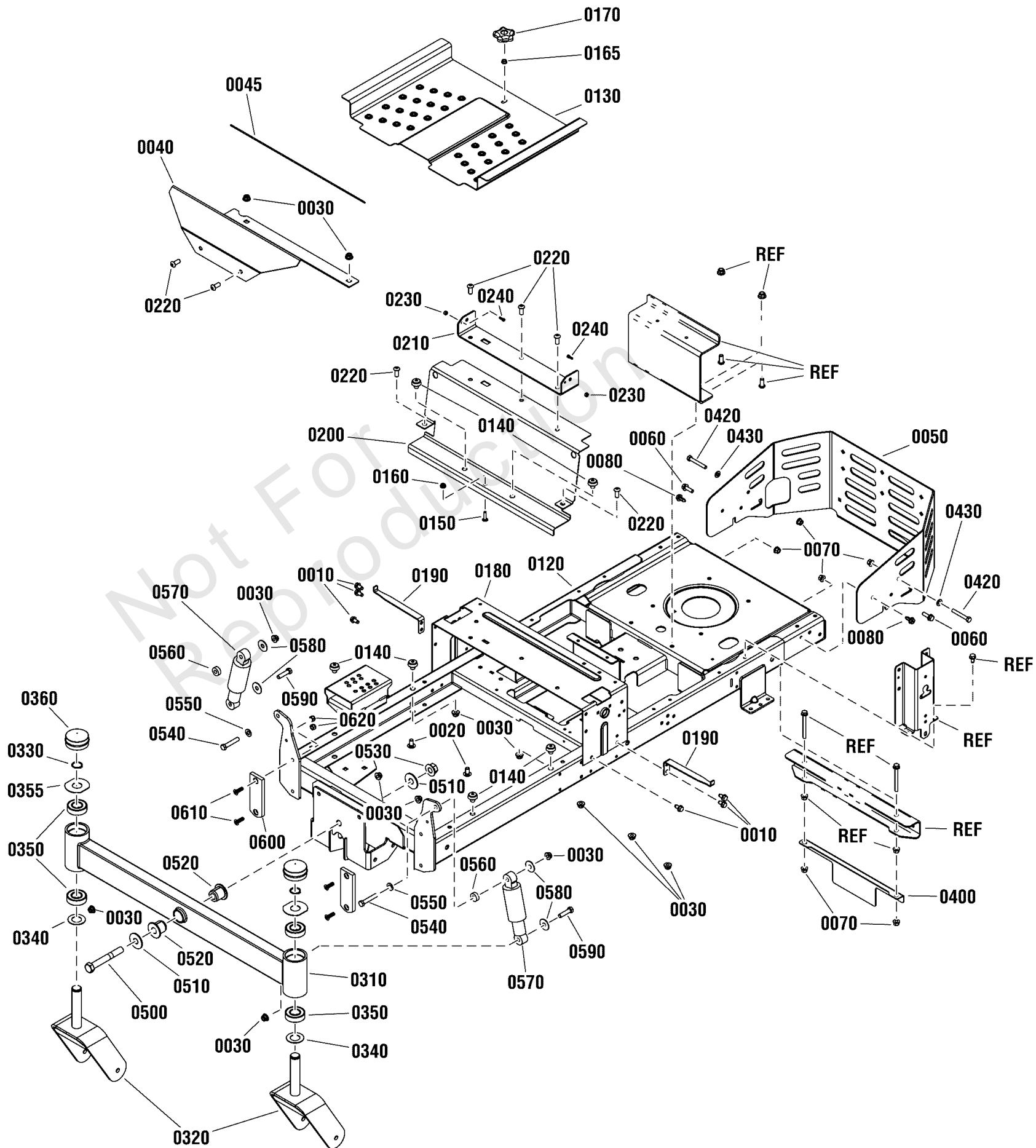
REF NO	PART NO	QTY	DESCRIPTION
0010	7700552X6YP	2	HOSE, VAPOR, 5MM ID, 6.00 LG
0020	7700552X12YP	1	HOSE, Vapor, 5 MM ID X 9 MM OD X 12"
0030	5103062YP	1	FITTING, 3/16" TEE, BARB TYPE, HDPE
0040	7700552X26YP	1	HOSE, Vapor, 5 MM ID, 26.00 LG
0050	691035	1	FILTER, Fuel
0060	5021030SM	5	TIE, 6" Self-Locking
0070	1760538AYP	1	BRACKET, Vent Hose Mount - BS Twin (BLK)
0080	703410	2	BOLT, Serrated Flange, 5/16-18 X 1.0
0090	703115	2	NUT, Flange Nylock, 5/16-18

Not For  
Reproduction

# Frame Suspension, EU

Note: Unless noted otherwise, use the standard torque specifications

Mfg. No: 2691411-00



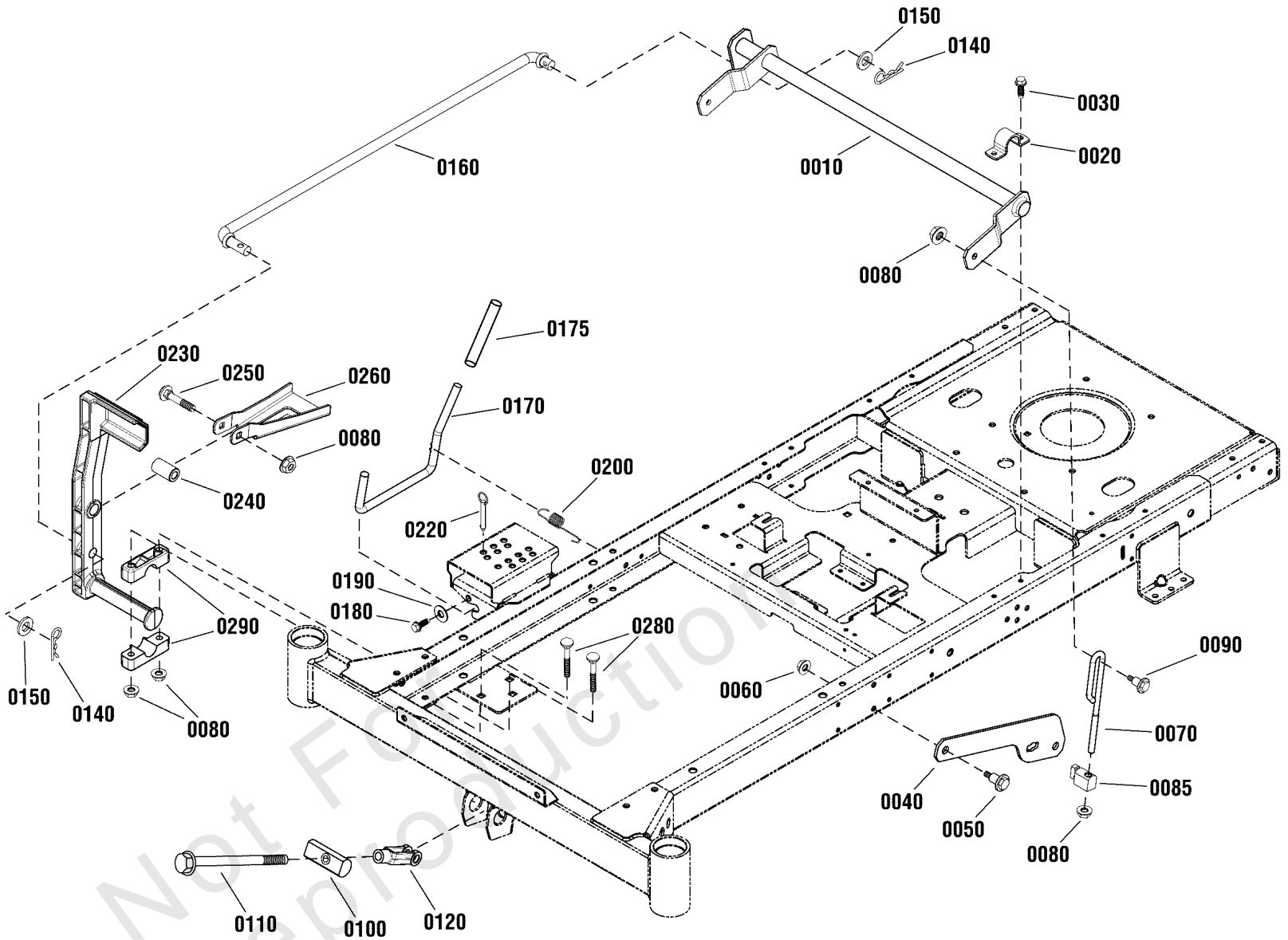
## Frame Suspension, EU

REF NO	PART NO	QTY	DESCRIPTION
0010	703949	6	SCREW, 5/16-18 X .625, Hex Washer Head, Thread Roll, Zinc/Clear
0020	703448	2	BOLT, 3/8-16 X .750, Short Neck Carriage, Zinc/Clear
0030	5025394SM	13	NUT, Hex Flange, Nylock, 3/8-16
0040	1759278CYP	1	FOOTREST, Pivoting Axle
0045	5101374YP	1	SAFETY WALK, Floor Rest, 6.00 X 16.00
0050	1759970CYP	1	BUMPER, Rear
0060	703410	2	BOLT, Serrated Flange, 5/16-18 X 1.0
0070	703115	6	NUT, Flange Nylock, 5/16-18
0080	703228	2	SCREW, Washer Head Taptite, 5/16-18 X 3/4
0120	-----	1	WELDMENT, ZT Frame - Full Suspension - Orange -(Not A Part Sale Item)
0130	1757813CYP	1	PAN, Bottom Foot
0140	197546GS	6	MOUNT, Rubber Vibration for .5" Hole
0150	7090496YP	1	BOLT, Carriage 1/4C X1 GR5 ZP
0160	703233	1	NUT, 1/4-20 Hex Flange Lock, GR 5, Zinc/Clear
0165	15X143MA	1	NUT, 1/4-20, Hex Flange Center Lock, ZC/CL
0170	707785	1	KNOB, Handle, 5 Prong, 1/4-20
0180	1758010CYP	1	BRACKET, Control
0190	1758240AYP	2	BRACKET, Fender Support (Black)
0200	1757796CYP	1	BRACKET, Brand Plate
0210	1758835CYP	1	BRACKET, Seat Pivot (Orange)
0220	707790	7	SCREW, 3/8-16 X .88 Button HD Hex Socket
0230	5025339YP	2	NUT, #8-32 Nylock
0240	770013	2	SCREW, 8-32 X .50 LG, Hex Head Cap
0310	1758686CYP	1	WELDMENT, Front Axle - Pivoting
0320	1759815CYP	2	WELDMENT, Caster Yoke (Pivoting Axle)(Orange)
0330	703993	2	RETAINING RING, 1" External
0340	703199	2	WASHER, 1.017 ID X 1.812 OD X .6 Thk, Flat, ZC/CL
0350	1758354YP	4	BEARING, Ball, 25MM ID, 52MM OD, 15MM Thick
0355	1722726SM	2	WASHER, Hub Cap, 1 X 2.5
0360	1725651SM	2	COVER, Spindle (Black Poly)
0400	1760067CYP	1	GUARD, Transmission, Suspension
0420	5025055X18YP	2	BOLT, 5/16-18 X 2-1/4
0430	703302	2	WASHER, 5/16 SAE
0500	707789	1	BOLT, 5/8-11 x 4.50, GD 5, Hex HD
0510	1960035SM	2	WASHER, 5/8 (.64 ID X 1.75 OD X .11 Thick) Flat, Black
0520	1759234YP	2	BUSHING, 1.235 OD, .641 ID, 1.29 LG, 1.75 Flange, PM
0530	770698	1	NUT, 5/8-11, Hex Flange Two Way Lock, Yellow
0540	703589	2	SCREW, 3/8-16 x 2, Hex Head Cap, GR5, Zinc/Clear
0550	703590	2	WASHER, .406
0560	1667811SM	2	SPACER, .390 ID, .90 OD, .34 LG, PM, YEL
0570	1755279YP	2	SHOCK ABSORBER, 8" Length
0580	5025165SM	4	WASHER, 3/8 (.41 ID, 1.25 OD, .06 Thk) Fender
0590	703406	2	SCREW, 3/8-16 X 1.50, Hex HD Cap, GR5, Zinc/Clear
0600	1759391YP	2	PAD, Friction, 1.75 X 5.03
0610	5025594YP	4	SCREW, 5/16-18X1, Phillips HD, BZ
0620	703902	4	NUT, 5/16-18, Hex Nylock, Zinc/Clear

# Lift Group

Note: Unless noted otherwise, use the standard torque specifications

Mfg. No: 2691411-00



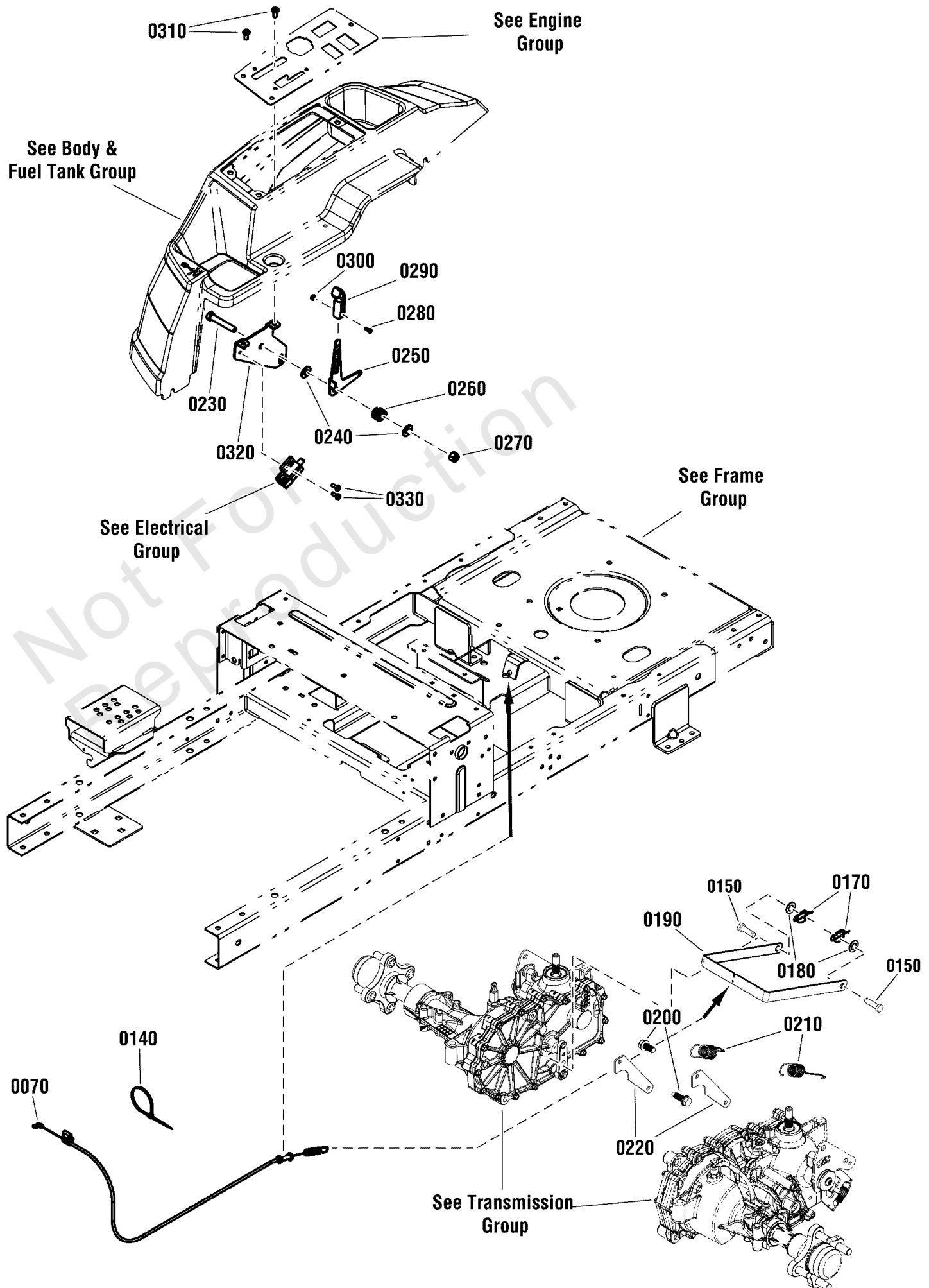
## Lift Group

REF NO	PART NO	QTY	DESCRIPTION
0010	1757958AYP	1	SHAFT, Lift
0020	1720147BZYP	2	STRAP
0030	703949	4	SCREW, Washer Head, 5/16-18 X 5/8
0040	1757953AYP	2	ARM, Lift
0050	1732426SM	2	BOLT, Shoulder, 5/16-18
0060	703115	2	NUT, Flange Nylock, 5/16-18
0070	1757936YP	2	ROD, Lift
0080	703158	9	NUT, Hex Flange, 3/8-16
0085	1731894SM	2	TRUNNION
0090	009X51MA	2	BOLT, Shoulder, 3/8-16
0100	1757955YP	1	TRUNNION, Mower
0110	1757954YP	1	ROD, Hitch
0120	5023174SM	1	CLEVIS, 1/2-20
0140	403162MA	2	PIN, Hair, 3/32 X 1.6
0150	5025281SM	2	WASHER, 5/8
0160	1758121YP	1	ROD, Foot Assist
0170	1758246YP	1	ROD, Transport
0175	1759817YP	1	GRIP, Foam
0180	703054	2	SCREW, Hex Washer Head, 1/4-20 x 5/8
0190	5025288YP	2	WASHER, 1/4
0200	1758283YP	1	SPRING, Extension
0220	5103021YP	1	PIN, Hitch, 3/8 X 2 1/2
0230	1758232YP	1	PEDAL, Lift
0240	1756612YP	1	BUSHING
0250	7900009SM	1	BOLT, Carriage, 3/8-16 X 2 1/4
0260	1758284AYP	1	STOP, Height of Cut
0280	1960615SM	4	BOLT, Carriage, 3/8-16 X 2 1/2
0290	5100634SM	4	BLOCK

# Parking Brake Group

Note: Unless noted otherwise, use the standard torque specifications

Mfg. No: 2691411-00





## Parking Brake Group

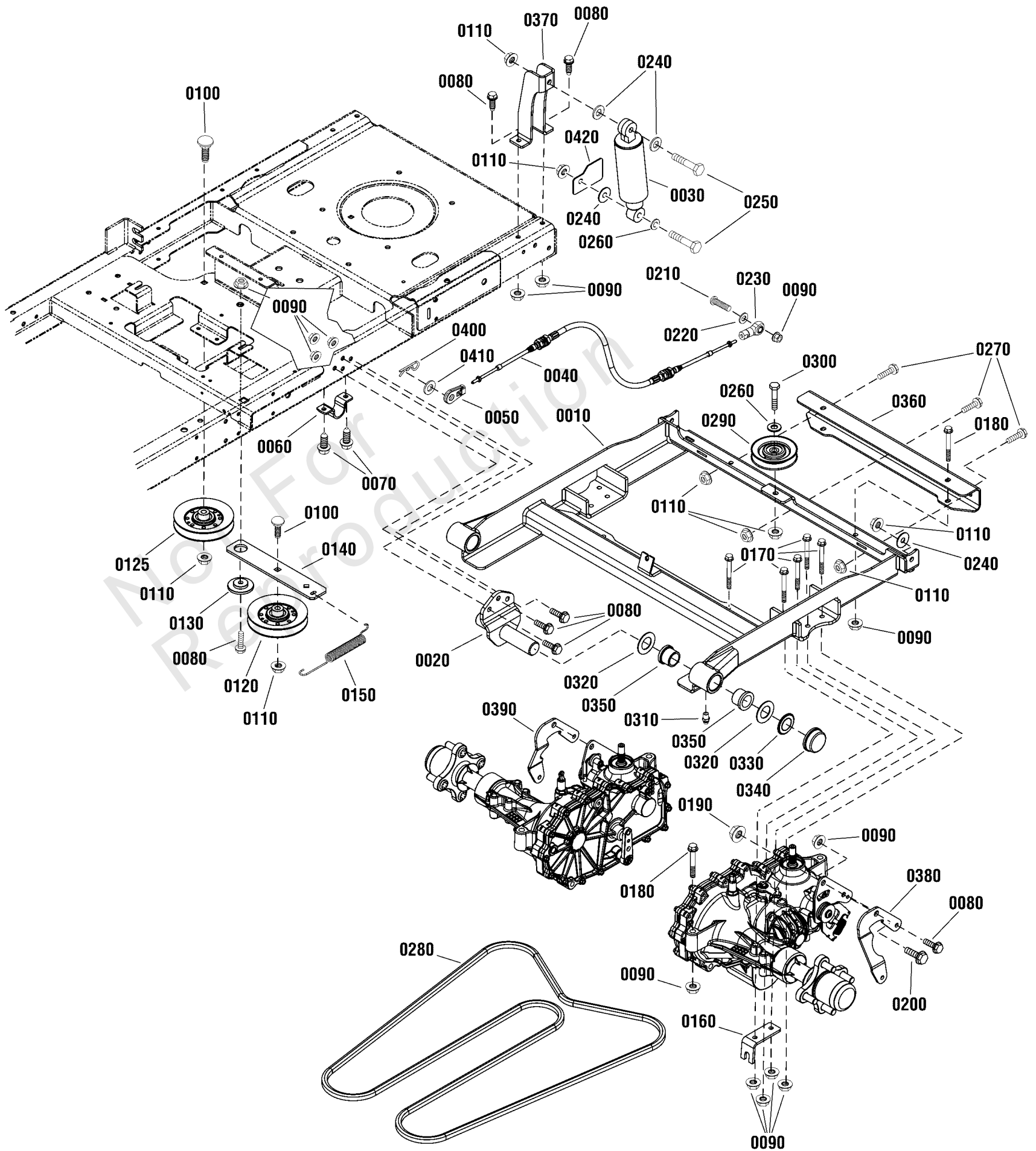
REF NO	PART NO	QTY	DESCRIPTION
0070	1759207YP	1	CABLE, Parking Brake
0140	703586	2	TIE, 7, Self Locking
0150	7014779YP	2	CLEVIS PIN, 5/16 X 3/4, ZP
0170	703355	2	PIN, 3/8 Cotter Self Locking, Zinc/Clear
0180	703302	2	WASHER, 5/16 SAE
0190	1758127AYP	1	ARM, Brake
0200	708964	2	SCREW, M6-12X1.0 Taptite Hex Head Cap
0210	1758283YP	2	SPRING, Extension
0220	1759362YP	2	BRACKET, Brake Spring
0230	703872	1	CAPSCREW, Hex Head, 3/8-16 X 2 1/4
0240	5025401YP	2	WASHER, 3/8 USS
0250	7301074YP	1	LEVER, Park Brake, YZ
0260	7028036YP	1	SPRING, Friction Pack
0270	5025096SM	1	NUT, 3/8-16 Hex Nylon Lock
0280	7091017YP	1	SCREW, #8-32 x 3/8 Cross Recess Filister Head, GR 2, BZ
0290	7023655YP	1	LEVER, Throttle Control
0300	703460	1	NUT, #8-32, Hex, Zinc/Clear
0310	703953	2	SCREW, Torx Pan Head Self-Tapping, 1/4-20 X 5/8,
0320	1759968AYP	1	BRACKET, Park Brake Lever
0330	704060	2	SCREW, 10-24 x 1/2" Hex Washer Self-Tap, Torx, ZC/CL

Not For  
Reproduction

# Rear Suspension Group

Note: Unless noted otherwise, use the standard torque specifications

Mfg. No: 2691411-00



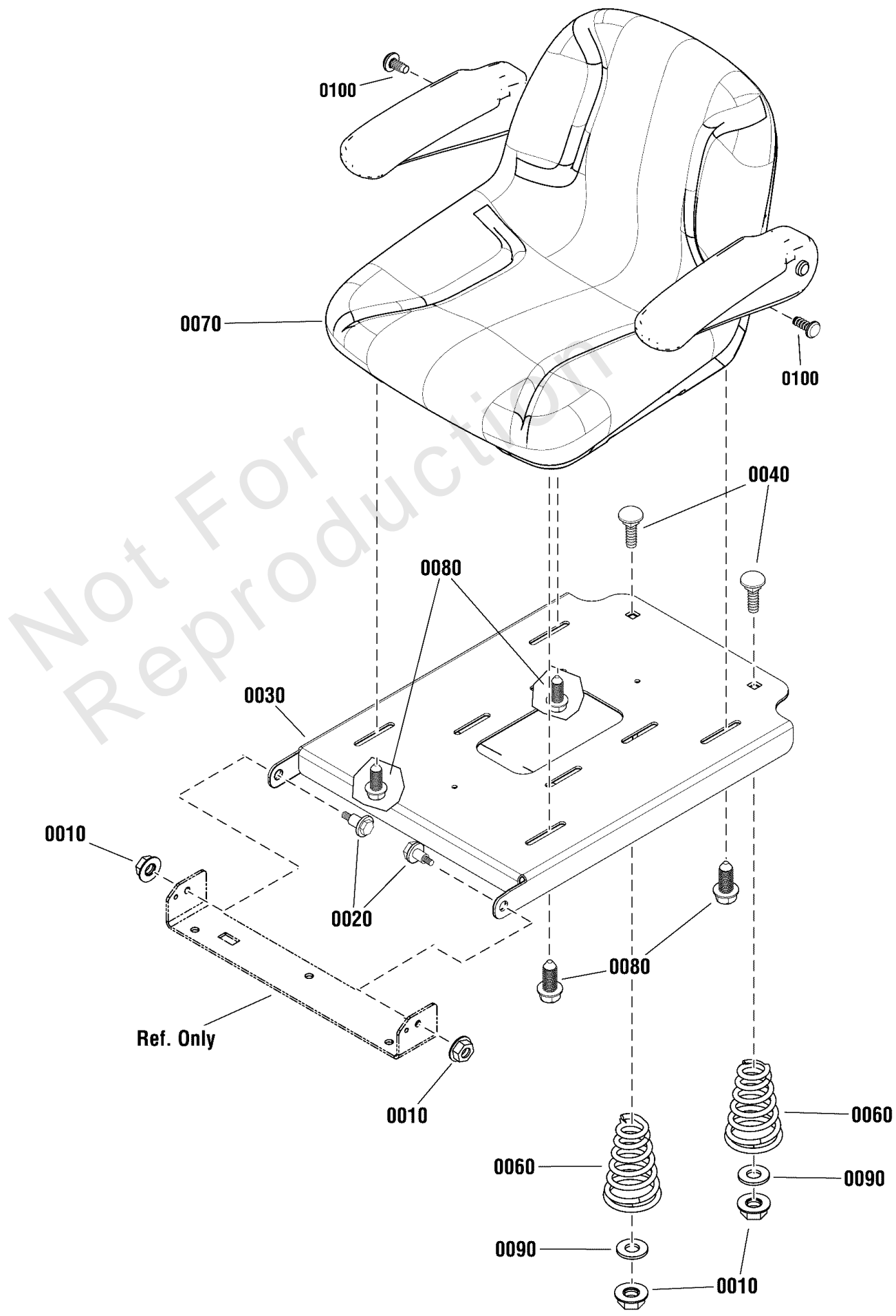
## Rear Suspension Group

REF NO	PART NO	QTY	DESCRIPTION
0010	1758718CYP	1	CARRIER, Transmission
0020	1758716CYP	2	SWING ARM, Rear
0030	1755531YP	2	ABSORBER, Shock
0040	1759206YP	2	CABLE, Push/Pull
0050	1759413YP	2	END, Cable
0060	1720147BZYP	2	STRAP
0070	703950	4	SCREW, Hex Washer Head, Thread Roll, 5/16-18 X 5/8
0080	770697	13	SCREW, Hex Flange, 5/16-18 x 1
0090	703115	27	NUT, Flange Nylock, 5/16-18
0100	703858	2	BOLT, Carriage, 3/8-16 X 1 3/4
0110	5025394SM	10	NUT, Hex Flange, Nylock, 3/8-16
0120	1759212YP	1	PULLEY, V Idler, 4.50"
0125	5103456YP	1	PULLEY-IDLER-V, 4.85OB, .38ID
0130	1727935SM	1	SPACER, Pivot
0140	1758744AYP	1	ARM, Idler
0150	1758045YP	1	SPRING, 7.18"Long, .75" OD, Extension
0160	1758822AYP	2	MOUNT, Cable
0170	707943	10	SCREW, Washer Head, 5/16-18 X 3
0180	770083	2	SCREW, Hex Washer, 5/16-18 X 2 1/2
0190	1930650SM	2	NUT, Hex Two Way, 7/16-14
0200	1960043SM	2	SCREW, Hex Flange, 7/16-14 X 1
0210	703172	2	SCREW, Button Head
0220	703302	2	WASHER, Flat, 5/16
0230	5101801YP	2	JOINT, Ball, Female, 10-32
0240	5025165SM	6	WASHER, Fender, 3/8
0250	5025013X14SM	4	CAPSCREW, Hex Head, 3/8-16 X 1-3/4
0260	703590	3	WASHER, .406
0270	5025390X8	3	BOLT, Flange, 3/8-16 X 1
0280	885714YP	1	BELT, Deck
0290	885482YP	1	IDLER, Pulley
0300	703872	1	CAPSCREW, Hex Head, 3/8-16 X 2 1/4
0310	1704314SM	2	FITTING, Lube, 1/4
0320	703199	4	WASHER, Flat
0330	703200	2	NUT, Push
0340	094618MA	2	HUB CAP
0350	1758717YP	4	BUSHING, Flange, 1 x 1
0360	1759163CYP	1	SUPPORT, Transmission
0370	1758778CYP	2	MOUNT, Rear Shock
0380	1759021AYP	1	ARM, Transmission, LH
0390	1759022AYP	1	ARM, Transmission, RH
0400	703300	2	PIN, Hair, 3/32 x 1 5/8
0410	703878	2	WASHER, Flat, 13/32 x 7/8 x .083
0420	1760061CYP	2	GUARD, Suspension

# Seat Group W/Armrests

Note: Unless noted otherwise, use the standard torque specifications

Mfg. No: 2691411-00



## Seat Group W/Armrests

REF NO	PART NO	QTY	DESCRIPTION
0010	703115	4	NUT, Flange Nylock, 5/16-18
0020	1752802YP	2	BOLT, Shoulder, 5/16-18 x 1.03LG, .50SH .19L
0030	1757799CYP	1	SLIDE, Seat (Orange)
0040	703483	2	BOLT, 5/16-18 X 1 Carriage, GR5, Zinc/Clear
0060	1717051SM	2	SPRING, Seat Conical .94/1.76 MD, 2.95 LG, .177 Wire
0070	1687857	1	KIT, Seat, 15" Fancy Vinyl, W/Armrests
0080	770697	4	SCREW, 5/16-18X1.0, Hex Flanged Whiz Lock
0090	704128	2	WASHER, .406X1.0X.134 Flat, Zinc/Clear
0100	1761409YP	2	KNOB, Adjuster -(Used with seats w/armrests)

Not For  
Reproduction

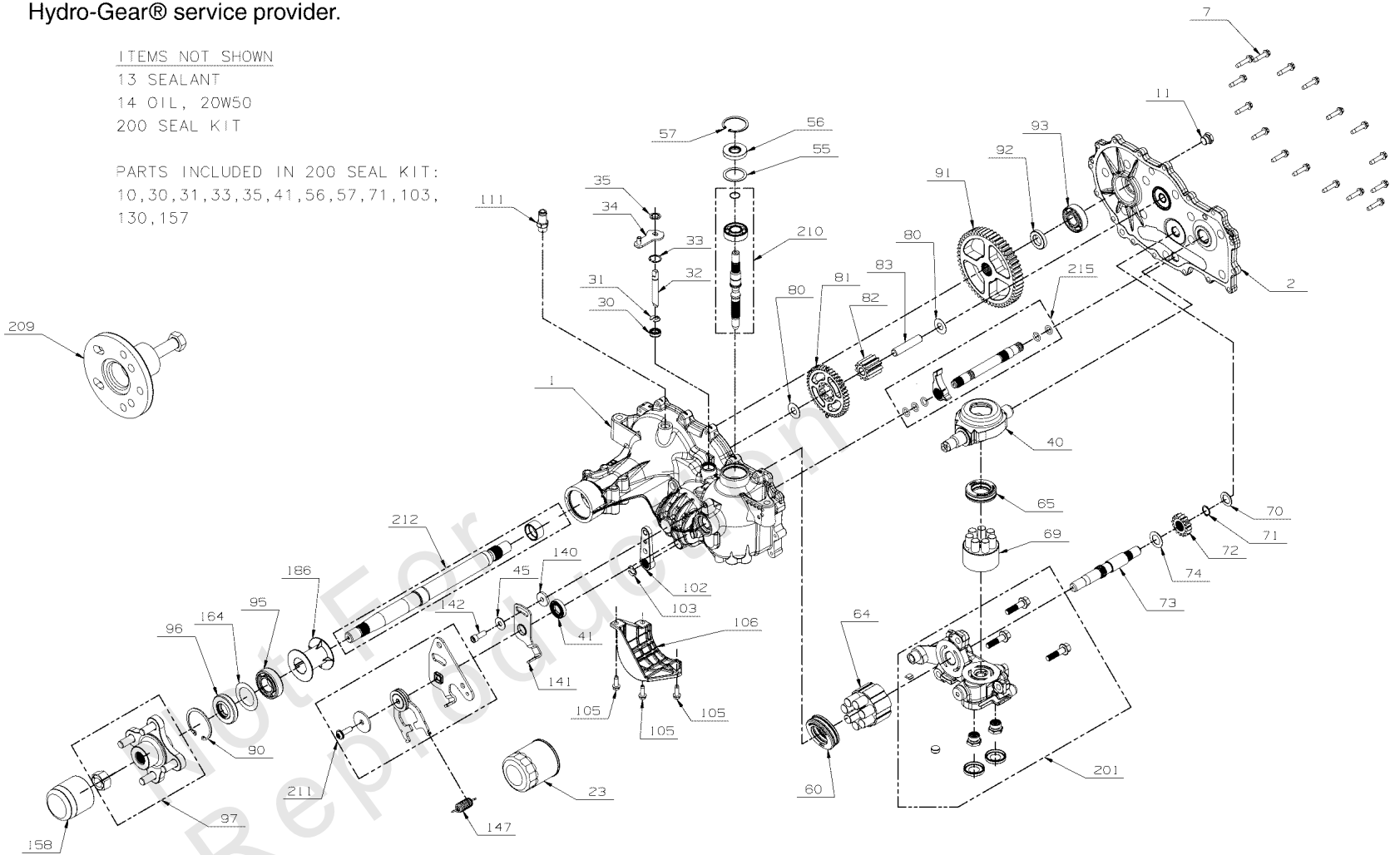
## Service Parts Schematic for Hydro-Gear® Transaxles: ZH-JPBB-3F7B-2XLX (1759446) ZH-MPBB-3F7C-3XLX (1759445)

For components not listed see your authorized Hydro-Gear® service provider.

ITEMS NOT SHOWN

- 13 SEALANT
- 14 OIL, 20W50
- 200 SEAL KIT

- PARTS INCLUDED IN 200 SEAL KIT:  
10, 30, 31, 33, 35, 41, 56, 57, 71, 103,  
130, 157



## Transaxle SERVICE Parts - Hydro-Gear ZT2800

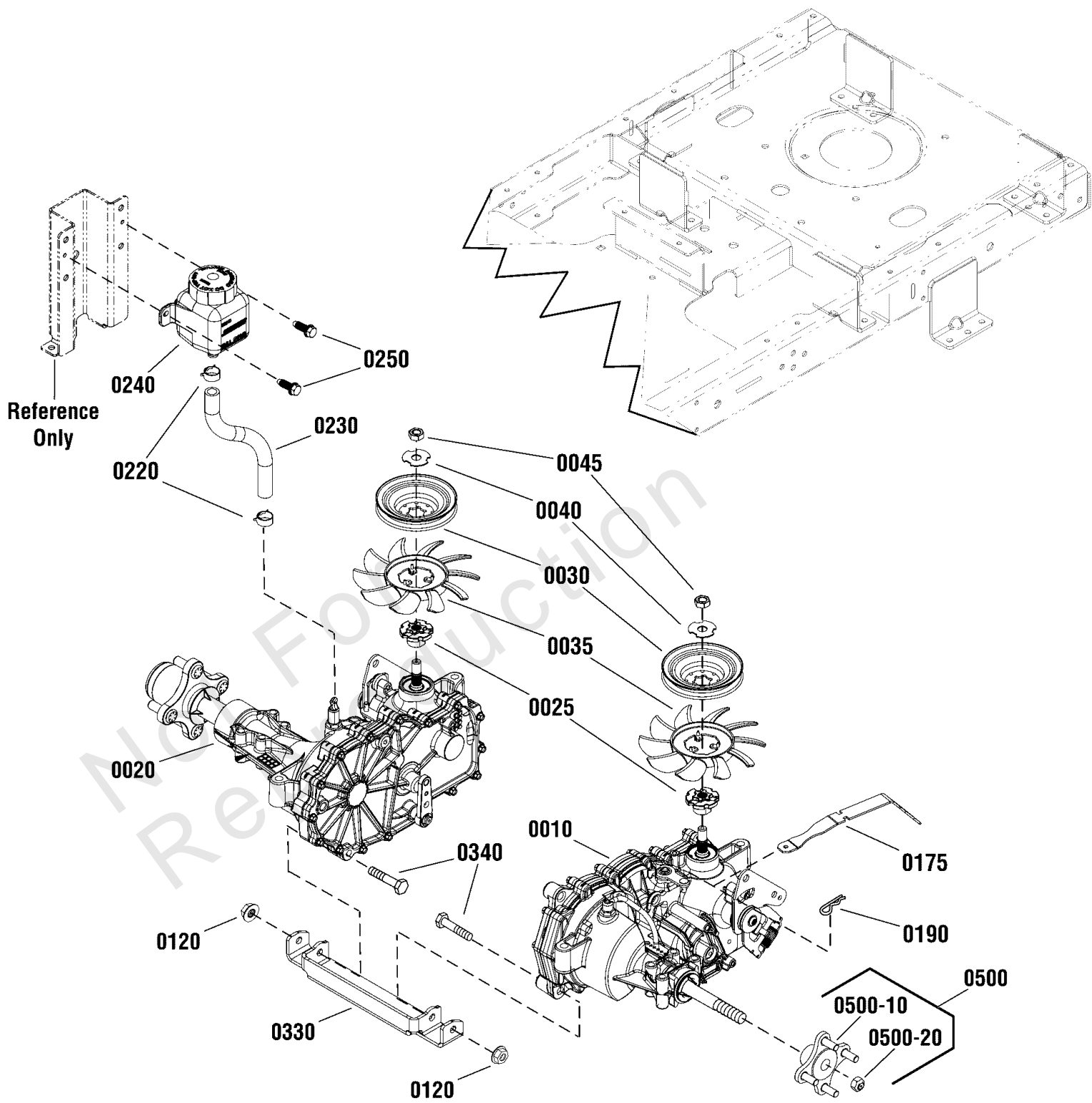
REF NO	PART NO	QTY	DESCRIPTION
23	5101026X1SM	1	FILTER, OIL,
56	5022905X16SM	1	SEAL, Lip, .67 x 1.58 x .276
57	5101026X4SM	1	RING, RET 2.06 INT,
90	5101026x17YP	1	RING, RETAINING 2.25 INTERNAL (50859)
93	5101026x18SM	1	KIT, BEARING (72749)
96	5101026x16YP	1	SEAL, LIP, AXLE,#53699
97	7600158YP	1	KIT, Hub Replacement
102	5103750YP	1	ARM, Brake
103	5104055YP	1	E-CLIP, Brake Arm
147	5101026x19YP	1	SPRING, Extension (52401)
186	5103589X9YP	1	DEBRIS GUARD HG #53496
200	5101026X8SM	1	KIT SEAL

Not For  
Reproduction

# Transmission Group

Note: Unless noted otherwise, use the standard torque specifications

Mfg. No: 2691411-00





## Transmission Group

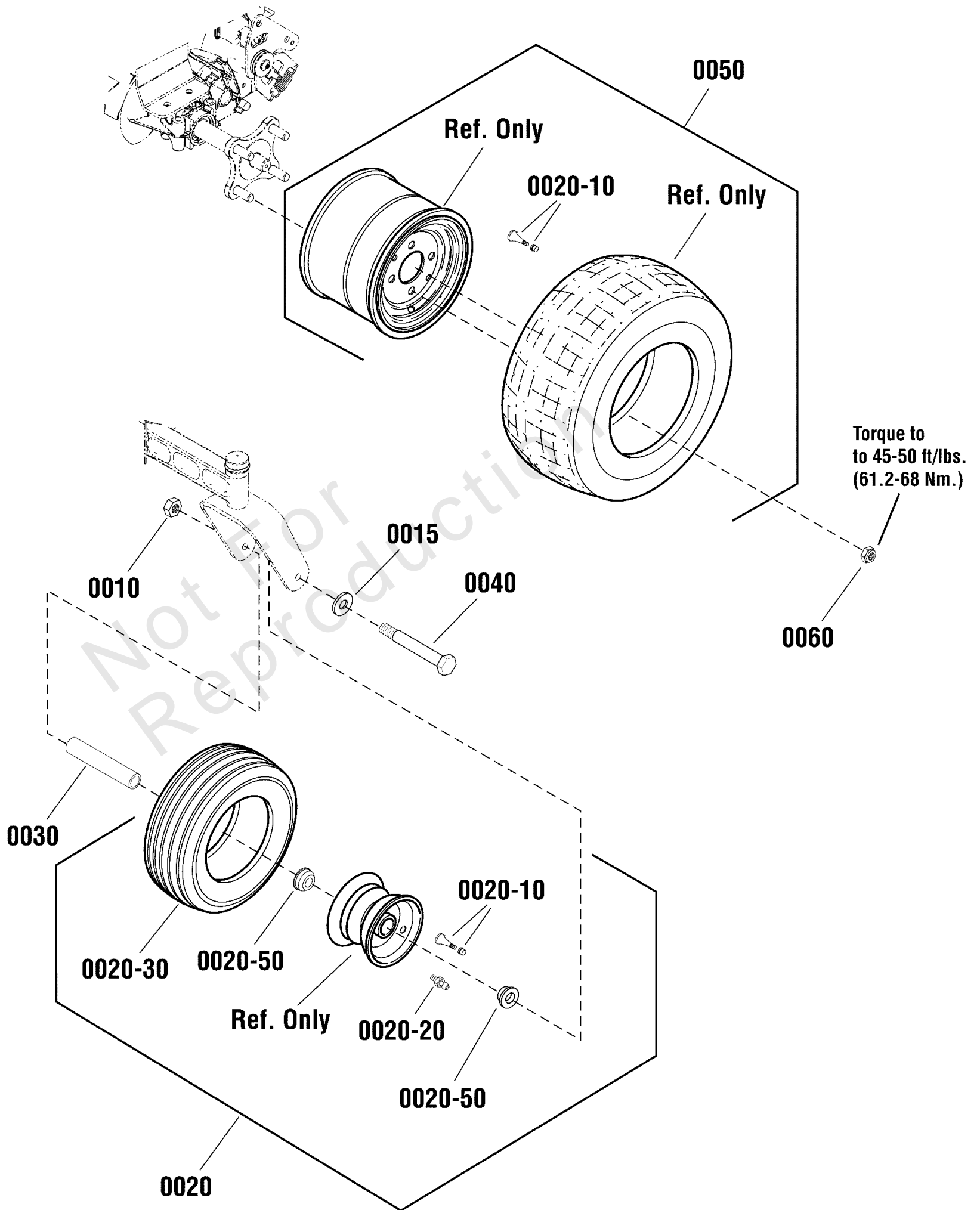
REF NO	PART NO	QTY	DESCRIPTION
0010	1759446YP	1	TRANSMISSION, LH, Hydro Gear ZT 2800
0020	1759445YP	1	* TRANSMISSION, RH, Hydro Gear ZT 2800
0025	1759450YP	2	SPACER, Transmission
0030	1759447YP	2	PULLEY, Transmission
0035	1759449YP	2	FAN, Input
0040	5102914YP	2	WASHER, Slotted
0045	5102916YP	2	NUT, ZT5400
0120	5025394SM	2	NUT, Hex Flange, Nylock, 3/8-16
0175	1759276AYP	2	Valve, Tow
0190	1722460SM	2	PIN, Hair
0220	5025474SM	4	CLAMP, Hose .75"
0230	5050857X9P5YP	2	HOSE, Hydro
0240	5100473SM	2	RESERVOIR, Hydro
0250	703054	4	SCREW, Hex Washer Head, 1/4-20 x 5/8
0330	1759172AYP	1	SUPPORT, Front Transmission
0340	5025013X20SM	2	BOLT, 3/8-16 X 2-1/2"
0500	7600158YP	1	KIT, Hub Replacement
0500-10	-----	1	HUB, EZT Transmission
0500-20	-----	1	NUT, EZT Transmission

Not For  
Reproduction

# Wheel & Tire Group

Note: Unless noted otherwise, use the standard torque specifications

Mfg. No: 2691411-00



## Wheel & Tire Group

REF NO	PART NO	QTY	DESCRIPTION
0010	1930650SM	2	NUT, Hex Two Way, 7/16-14
0015	703183	2	WASHER, 7/16
0020	1734013SM	2	ASSEMBLY, Wheel & Tire, Front Caster, 11 X 4-5
0020-10	2172353SM	4	VALVE STEM & CAP
0020-20	7104428YP	2	ZERK, Grease
0020-30	1734875SM	2	TIRE, 11 X 4-5
0020-50	1739281YP	4	BUSHING, 0.632ID, 1.377OD, 0.62 LG
0030	1734841SM	2	TUBE, Caster Wheel
0040	7091772SM	2	SCREW, 7/16-14 x 6 Hex Head Cap, GR 5
0050	1759585YP	2	ASSEMBLY, Wheel Rear, 20 X 10-8
0060	5020601SM	8	NUT, Lug, 1/2-20

Not For  
Reproduction

# Hardware Identification & Torque Specifications

Torque Specification Chart								
FOR STANDARD METRIC MACHINE HARDWARE (Tolerance ± 20%)								
Property Class	5.6		8.8		10.9		12.9	
	Class 5.6		Class 8.8		Class 10.9		Class 12.9	
Size Of Hardware	in/lbs	Nm.	in/lbs	Nm.	in/lbs	Nm.	in/lbs	Nm.
	ft/lbs		ft/lbs		ft/lbs		ft/lbs	
M3	5.88	.56	13.44	1.28	19.2	1.80	22.92	2.15
M4	13.44	1.28	30.72	2.90	43.44	4.10	52.56	4.95
M5	26.4	2.50	60.96	5.75	5.97	8.10	7.15	9.7
M6	44.64	4.3	7.3	9.9	10.3	14	12.1	16.5
M7	5.2	7.1	12.1	16.5	16.9	23	19.9	27
M8	7.7	10.5	17.7	24	25	34	29	40
M10	15	21	35	48	50	67	59	81
M12	26	36	61	83	86.2	117	103	140
M14	42	58	101	132	136	185	162	220
M16	64	88	147	200	210	285	250	340
M18	89	121	202	275	287	390	346	470
M20	126	171	290	390	405	550	486	660
M22	169	230	390	530	559	745	656	890
M24	217	295	497	375	708	960	840	1140
M27	320	435	733	995	1032	1400	1239	1680
M30	435	590	995	1350	1401	1900	1681	2280
M33	590	800	1349	1830	1902	2580	2278	3090
M36	759	1030	1740	2360	2441	3310	2935	3980
M39	988	1340	2249	3050	3163	4290	3798	5150

Torque Specification Chart						
FOR STANDARD MACHINE HARDWARE (Tolerance ± 20%)						
Hardware Grade	No Marks		SAE Grade 5		SAE Grade 8	
	SAE Grade 2		SAE Grade 5		SAE Grade 8	
Size Of Hardware	in/lbs	Nm.	in/lbs	Nm.	in/lbs	Nm.
	ft/lbs		ft/lbs		ft/lbs	
8-32	19	2.1	30	3.4	41	4.6
8-36	20	2.3	31	3.5	43	4.9
10-24	27	3.1	43	4.9	60	6.8
10-32	31	3.5	49	5.5	68	7.7
1/4-20	66	7.6	8	10.9	12	16.3
1/4-28	76	8.6	10	13.6	14	19.0
5/16-18	11	15.0	17	23.1	25	34.0
5/16-24	12	16.3	19	25.8	29	34.0
3/8-16	20	27.2	30	40.8	45	61.2
3/8-24	23	31.3	35	47.6	50	68.0
7/16-14	30	40.8	50	68.0	70	95.2
7/16-20	35	47.6	55	74.8	80	108.8
1/2-13	50	68.0	75	102.0	110	149.6
1/2-20	55	74.8	90	122.4	120	163.2
9/16-12	65	88.4	110	149.6	150	204.0
9/16-18	75	102.0	120	163.2	170	231.2
5/8-11	90	122.4	150	204.0	220	299.2
5/8-18	100	136	180	244.8	240	326.4
3/4-10	160	217.6	260	353.6	386	525.0
3/4-16	180	244.8	300	408.0	420	571.2
7/8-9	140	190.4	400	544.0	600	816.0
7/8-14	155	210.8	440	598.4	660	897.6
1-8	220	299.2	580	788.8	900	1,244.0
1-12	240	326.4	640	870.4	1,000	1,360.0

The guides and ruler furnished below are designed to help you select the appropriate hardware.

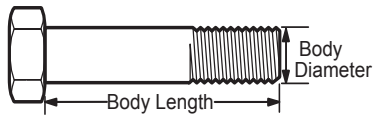


Nut, M8

Thread Diameter (mm)

Inside Diameter (in)      Threads per inch

Nut, 1/2-16

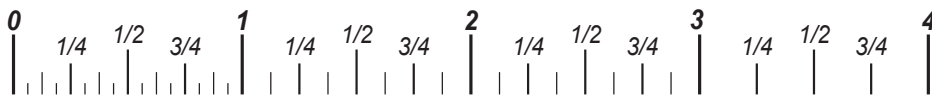


Screw, M8- 1.25 x 25

Thread Diameter (mm)      Distance between threads (mm)      Body Length (mm)

Body Diameter      Threads per inch      Body Length (in)

Screw, 1/2- 16 x 2



## Standard Hardware Sizing

When a washer or nut is identified as 1/2" (M8), this is the *Nominal size*, meaning the *inside diameter* is 1/2 inch (8mm metric thread diameter); if a second number is present it represents the *threads per inch* (distance between threads).

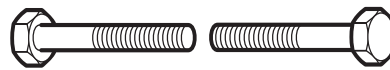
When bolt or capscrew is identified as 1/2 - 16 x 2" (M8 - 1.25 x 50), this means the *Nominal size*, or body diameter is 1/2 inch (8mm metric thread diameter), the second number, 16, represents the *threads per inch*, (*distance between threads*). The final number is the body length of the bolt or screw, 2 inches (50mm).

## NOTES

- These torque values are to be used for all hardware excluding: locknuts, self-tapping screws, thread forming screws, sheet metal screws and socket head setscrews.
- Recommended seating torque values for locknuts:
  - for prevailing torque locknuts - use 65% of grade 5 torques.
  - for flange whizlock nuts and screws - use 135% of grade 5 torques.
- Unless otherwise noted on assembly drawings, all torque values must meet this specification.

## Common Hardware Types

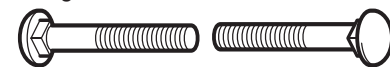
Hex Head Capscrew



Washer



Carriage Bolt



Hex Nut

## Wrench & Fastener Size Guide

1/4" Bolt or Nut Wrench—7/16"	5/16" Bolt or Nut Wrench—1/2"	3/8" Bolt or Nut Wrench—9/16"	7/16" Bolt or Nut Wrench (Bolt)—5/8" Wrench (Nut)—11/16"	1/2" Bolt or Nut Wrench—3/4"
M6 Bolt or Nut Wrench—10mm	M8 Bolt or Nut Wrench—13mm	M10 Bolt or Nut Wrench—17mm	M12 Bolt or Nut Wrench—19mm	M14 Bolt or Nut Wrench—22mm

